

CE-PS101G

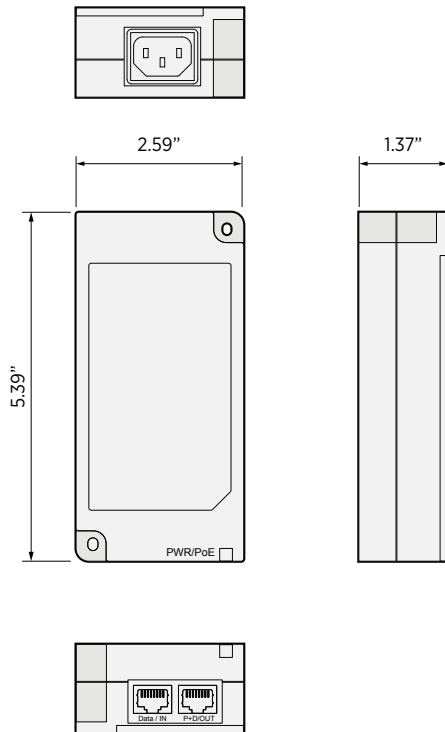
Single Port Midspan PoE+ Injector



KEY FEATURES:

- 1 x RJ-45 Input for Data
- 1 x RJ-45 PoE+ Output for Data & Power
- IEEE 802.3af/at Compliant
- 30 Watts Max Power
- Output port has output current limited, short-circuit protection
- Convert Standard 90-260V/AC Power Into Low-Voltage DC (AC Power Cord Included)
- Smart Plug-and-Play
- Surface Mountable
- UL Listed

DIMENSIONS:



DATA & POWER	
Power Input	100-240V AC, 50-60Hz
PoE Power Output	15.4W for IEEE 802.3af (PoE) 30W for IEEE 802.3at (PoE+)
Power Output Voltage	48V DC at Full 30 W Output Supported
Power Consumption	35 Watts - w/ connected PD (Powered Device)
Data Rate	10/100/1000 Mbps

GENERAL	
Standards	IEEE 802.3af IEEE 802.3at IEEE 802.3 10BaseT IEEE 802.3u 100BaseTX IEEE 802.3ab 1000BaseT
LED Indicator	Amber LED: power ON, no connected PD Purple LED: power ON, with connected PD
Certifications	UL Listed, FCC Class A, CE
Operating Temperature	32°F - 122°F / 0°C - 50°C
Dimensions	5.39" x 2.59" x 1.37" / 137mm x 66mm x 35mm
Weight	0.41 lbs / 190 g