

CE-CMHL-DH-M

Dual-Head LCD/PVM Bracket for Heavy Duty Telescoping Monitor Poles



Maximum Load Capacity: 60 lbs / 27.2 kgs



KEY FEATURES:

- Easily install two monitors back-to-back
- Mounts to a Clinton Telescoping Heavy Duty Ceiling Mount Pole*
- Compatible with CE-CMHL-3 (3' pole) and CE-CMHL-6 (6' pole)
- Recommended for LCD or PVM up to 28 lbs each (60 lbs max combined weight of monitors and brackets)
- Bracket arms measure 7.87"
- Adjustable Tilt, (Up to 40° — depending on monitor size)
- Includes (2) VESA 75 & 100 Mounting Plates
- Includes Mounting Hardware

*Telescoping Monitor Pole Sold Separately

Mounting Plate	VESA 75 & 100
Dimensions (L x W x H)	7.87" x 2.5" x 0.37"
*bracket arms only	199.9mm x 63.5mm x 9.4mm
Weight	2.8 lbs / 1.87kg

DIMENSIONS:

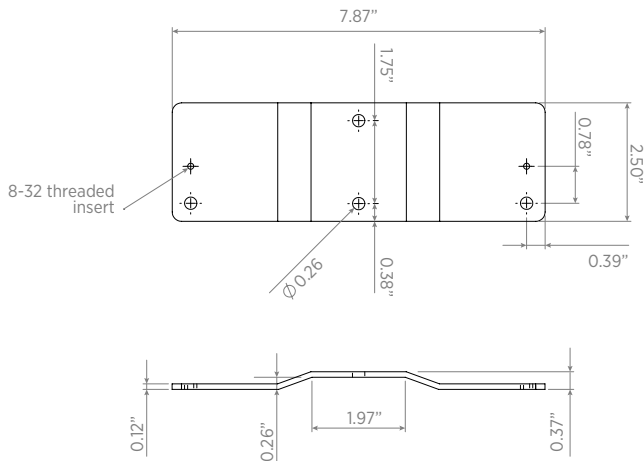


DIAGRAM:

