

CE-CG-2x2.612

Suspended Ceiling Mount Tile & Telescoping 6~12ft Pole Kit



Maximum Load Capacity: 35 lbs / 16 kgs



KEY FEATURES:

Designed to install into standard 2' x 2' drop ceilings, the CE-CG-2x2.612 can mount nearly any LCD or PVM monitor up to 35 lbs. This kit includes an adjustable telescoping pole that can extend 6' to 12' in length. The tile and pole kit contains all necessary hardware for installation.

- Recommended for LCD or PVM up to 35 lbs
- Installs into Suspended T-Rail Ceilings
- Telescoping Height from 5' 7" to 11' 1" from Ceiling
- Adjustable Tilt and Swivel
- Powder-Coated Aluminum 2' x 2' Ceiling Tile Plate
- Painted Pole Hides & Protects Cables
- Mounting Hardware, Safety Cables & Adjustable Turnbuckles Included
- VESA 75 & 100
- UL Listed

GENERAL	
Material	Tile: Steel / Pole: Aluminum
Dimensions (tile)	23.75" x 23.75" x 3.51" / 60.32cm x 60.32cm x 8.94cm
Dimensions (pole)	1.5" (Dia) x 5' 7" (L) / 38.1mm (Dia) x 1.701m
Weight	25.5 lbs / 11.566kg

DIMENSIONS:

Unit : Inches

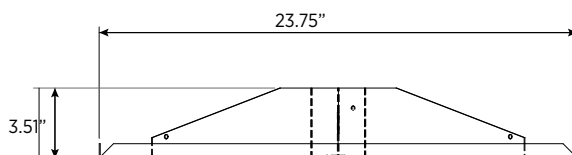
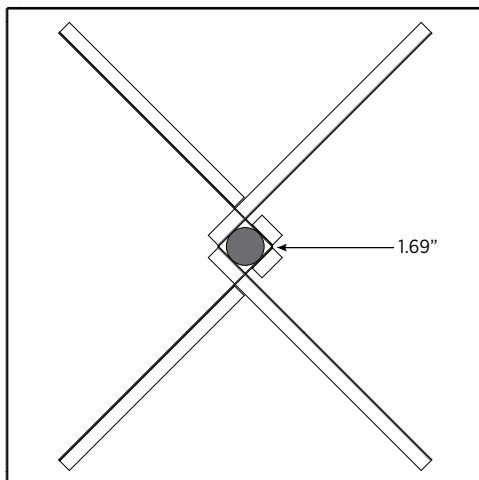


DIAGRAM:

