

CE-CPSM(B)

Swivel Mount for Telescoping Camera Poles



Maximum Load Capacity: 10 lbs / 4.53 kgs



KEY FEATURES:

This swivel mount is ideal for warehouses or other harsh environments and allows the camera pole to swing safely out the way when struck by forklifts or rolling ladders.

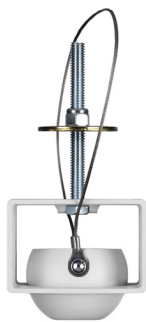
- Includes Mounting Hardware & Safety Cable
- Mounts to all Clinton telescoping camera poles
- Swivels up to 45°

**Telescoping Camera Pole Shown Sold Separately*



GENERAL	
Materials	Aluminum
Dimensions (L x W x H) <i>*swivel mount only, bolt & camera pole not installed</i>	3.35" x 3.35" x 2.95" 85mm x 85mm x 55mm
Weight	1.05lbs / 0.47kg

CAMERA POLE COMPATIBILITY	
CE-CP3W	Adjustable from 1' 3" to 2' 7" - White
CE-CP3B	Adjustable from 1' 3" to 2' 7" - Black
CE-CP6W	Adjustable from 3' to 5' 9" - White
CE-CP6B	Adjustable from 3' to 5' 9" - Black
CE-CP12W	Adjustable from 6' 2" to 11' 9" - White
CE-CP12B	Adjustable from 6' 2" to 11' 9" - Black

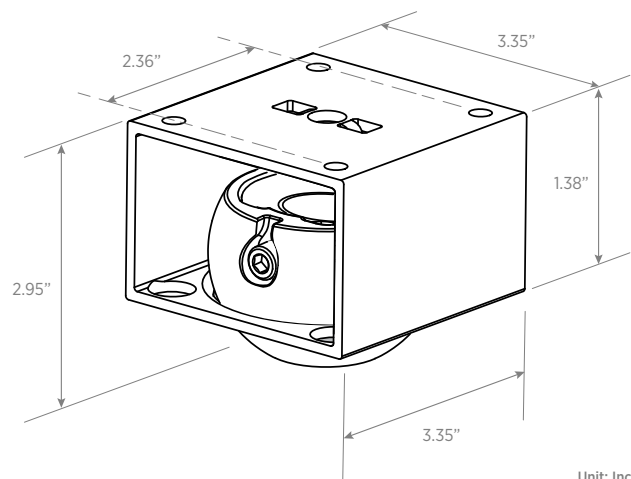


▲
CE-CPSM
(White)



▲
CE-CPSMB
(Black)

DIMENSIONS:



Unit: Inches