

CE-EX360

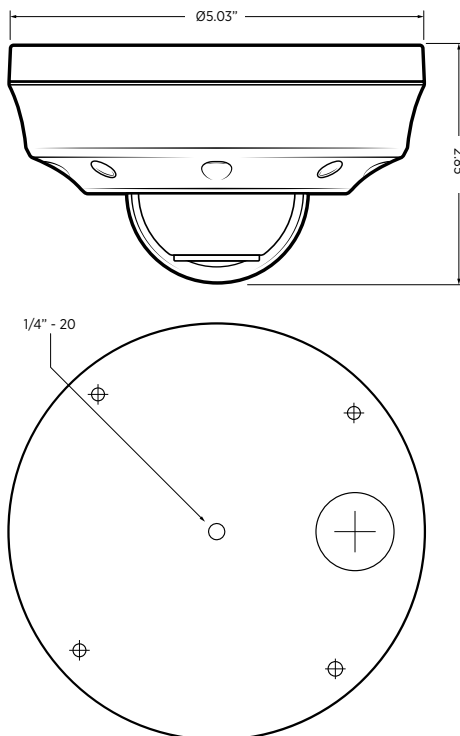
EX-SDI 2.0 360° IR Dome



KEY FEATURES:

- 1/3" Panasonic CMOS Sensor
- 1080p @ 30fps Over RG59 Coax
- 1.27mm (f2.0) 5MP Fisheye Lens
- 4 IR LEDs
- EX-SDI 2.0 / HD-SDI & Analog output
- Built-in dewarping feature, no software required
- Multiple view modes including 360° and 180° views
- RS485 (+/-) PTZ Keyboard interface
- OSD Menu Control via Built-In Joystick
- Rugged aluminum housing
- DC12V

DIMENSIONS:



| CAMERA | |
|-------------------------------|--|
| Image Sensor | 1/3" Panasonic CMOS |
| Resolution | Full HD 1080p - 2MP |
| Effective Pixels | 1944 (H) x 1092 (V) |
| Scanning System | Progressive Scan |
| Frame Rate | 1080p @ 30fps |
| Minimum Illumination | 0.5 Lux |
| Shutter Speed | 1/30 - 1/50,000 sec. / AUTO |
| Lens | 1.27mm (f2.0) 5MP Fisheye Lens |
| Filed of View | 185° (H) / 140° (V) |
| Video Output (SDI selectable) | EX-SDI 2.0 / EX-SDI / HD-SDI Analog: 1,000TVL Output |
| View Modes | 360° (Fisheye), 180° (Panorama), 4ch, 360° + 3ch, 180° Split |
| RS485 | Pelco D / 9600 |
| Power Consumption | Max. 1A |
| Power Requirement | DC12V |
| Operating Temperature | -4°F - 140°F / -20°C - 60°C |
| Operating Humidity | 20 - 80% RH Max. |
| Weather Rating | IP67 |
| IR LEDs | 4 |
| Heaters/Fan | n/a |
| Materials | Aluminum Housing w/Polycarbonate Dome |
| Dimensions | 5.03" (Dia.) x 2.85" (H) / 128mm (Dia.) x 72.5mm(H) |
| Weight | 1.71 lbs / 780g |

| ACCESSORIES | |
|-----------------|--|
| CE-PTZKEYB | RS485 PTZ Keyboard |
| CE-T12VDC1000 | DC12V 1A Power Supply - 1ch |
| CE-CPUP (White) | Universal Pendant Mount for Telescoping Camera Poles |
| CE-CPBA (White) | 1/4" - 20 Adapter Mount for Telescoping Camera Poles |