

# BZ HD Series Install Guide

For EX-SDI 2.0 BZ Bullet Cameras: BZ0HD(B)L • BZ1HD(B) • BZ2HD(B) • BZ3HD(B) • BZ1QH(B)

## Included Items:

- BZ Series Camera x 1
- Mounting Plate x 1
- Phillips Screws (M5x25) x 4
- Allen Bolts (M4x8) x 4
- Plastic Washers x 4
- Drywall Anchors x 4
- Foam Gasket x 1
- Instructions x 1
- 3mm Allen Wrench x 1
- 5mm Allen Wrench x 1

## Required Items:

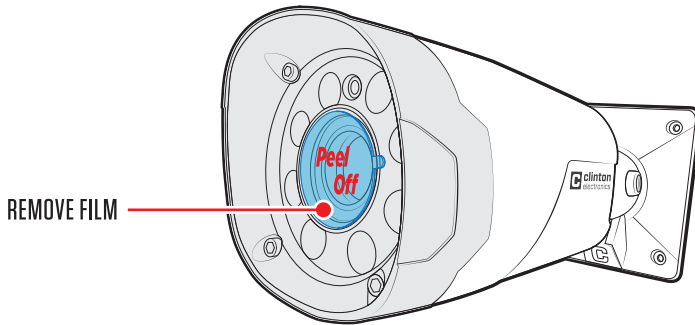
- Phillips Head Screwdriver or Drill with Phillips Head Bit
- CE-REMOTE (Zoom/Focus & OSD Control)
- DC12V or AC24V Power Supply

## Optional Items:

- Analog Test Monitor
- 3/4" Drill Bit

## 1. REMOVE FILM

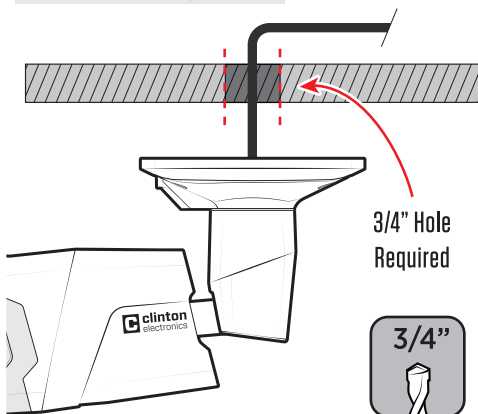
Remove the protective film over the lens of the camera. An out-of-focus, discolored, and poor night-time image can result if this film is not removed.



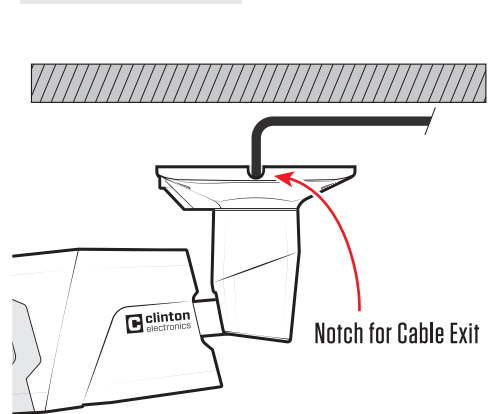
## 2. PREPARE MOUNTING SURFACE

Depending on the installation type; cable routed through the surface or cable routed on surface exterior- a hole may be required. If the cable will be routed through the surface, a 3/4" hole is required to fit the cable and connections through the surface.

### Cable Routed Through Surface (Using Mounting Plate)

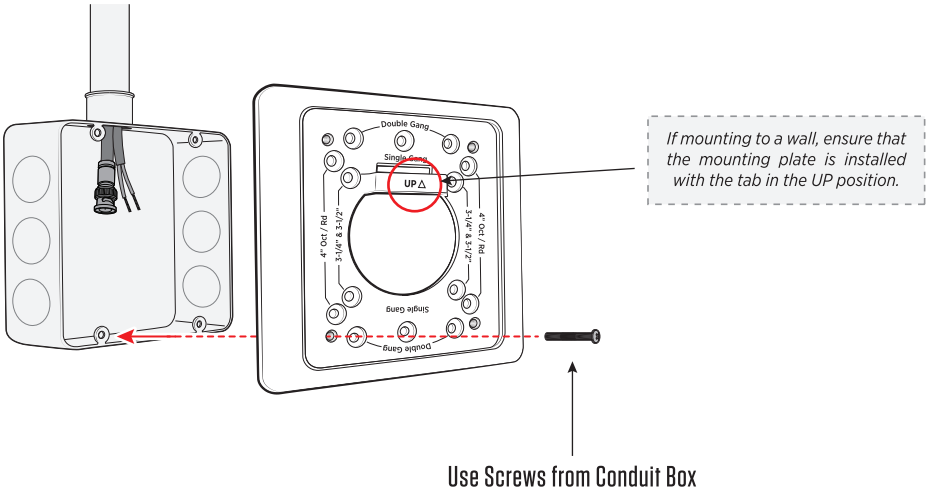


### Cable Routed On Surface (NOT Using Mounting Plate)



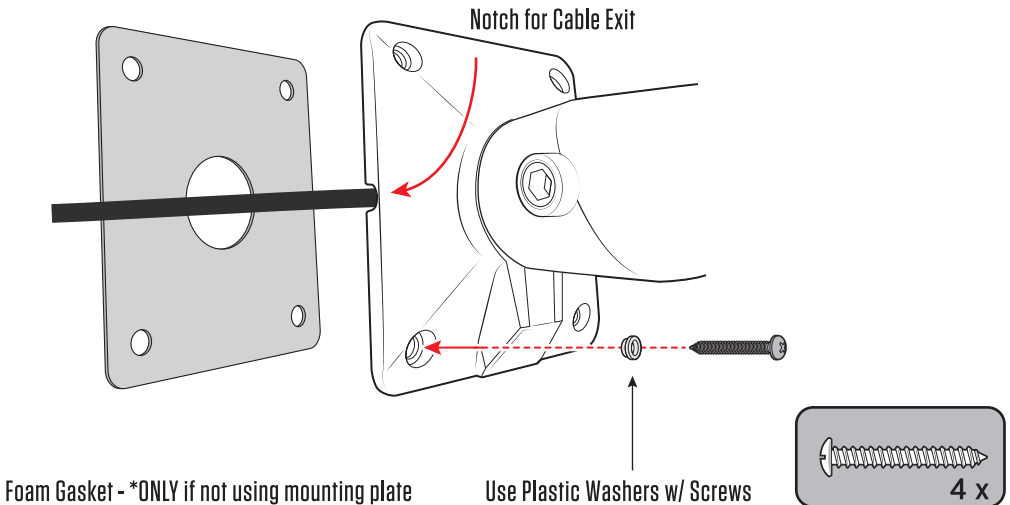
### 3A. INSTALL MOUNTING PLATE - (for conduit box install)

If installing the mounting plate on a conduit box, choose the appropriate hole pattern for that box. Use the screws provided with the conduit box for mounting. If installing the mounting plate on surface such as wood, use the 4 included Phillips-head screws. When installing onto drywall use the 4 included drywall anchors in conjunction with the screws.



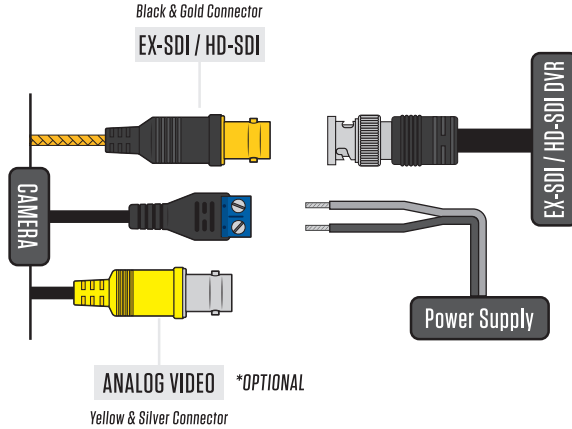
### 3B. INSTALL WITHOUT MOUNTING PLATE - (for cable side exit)

If installing the mounting plate on surface such as wood, use the 4 included Phillips-head screws and plastic washers. When installing onto drywall use the 4 included drywall anchors in conjunction with the screws. If installing the camera onto a metal structure or bracket, it is recommended to use the included foam gasket to help prevent damage to the camera caused by power surges.



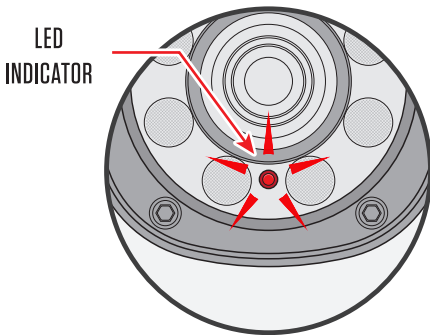
#### 4. CONNECT CABLES

Make connections to the BNC cable and the power connection. Feed any cable slack into the mounting surface. To ensure quality operation, verify proper BNC and power termination, along with proper voltage at camera.



*Inferior quality coax cable or excessively long runs of cable will cause an HD-SDI video signal to be poor or not viewable. It is recommended to test all coax cable to be used as HD-SDI with a HD-SDI Cable Tester.*

A Power LED (on the face of the camera) will illuminate RED for 1 second on initial power. If the RED light is ON, either flashing RED or solid RED, check the voltage at the camera. If the RED light is OFF the camera has correct voltage.



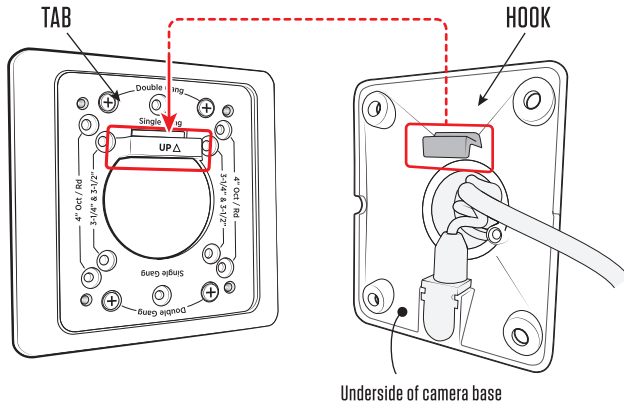
#### RVM - Rated Voltage Monitoring

LED COLOR	STATUS
---	Safe Power
RED - SOLID	Over 29 Volts (AC24V)
RED - BLINK	Under 10 Volts (DC12V)

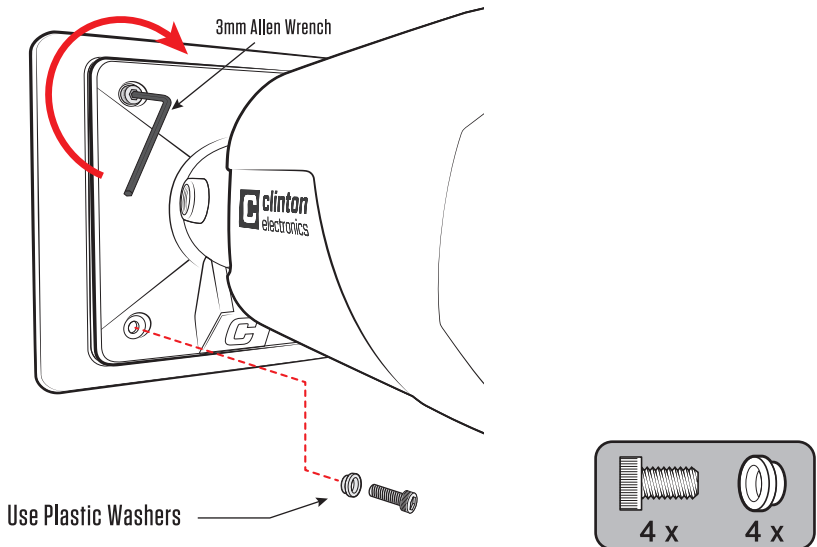
*An under-powered camera (less than 12 Volts DC) might function initially, but it may stop working at night-time when the IR LEDs are activated (as this draws more power). Constantly under-powering a camera can cause the camera to malfunction.*

## 5. ATTACH CAMERA TO MOUNTING PLATE

Align the hook on the underside of the camera to the tab on the mounting plate. Slide the camera base onto the mounting plate.

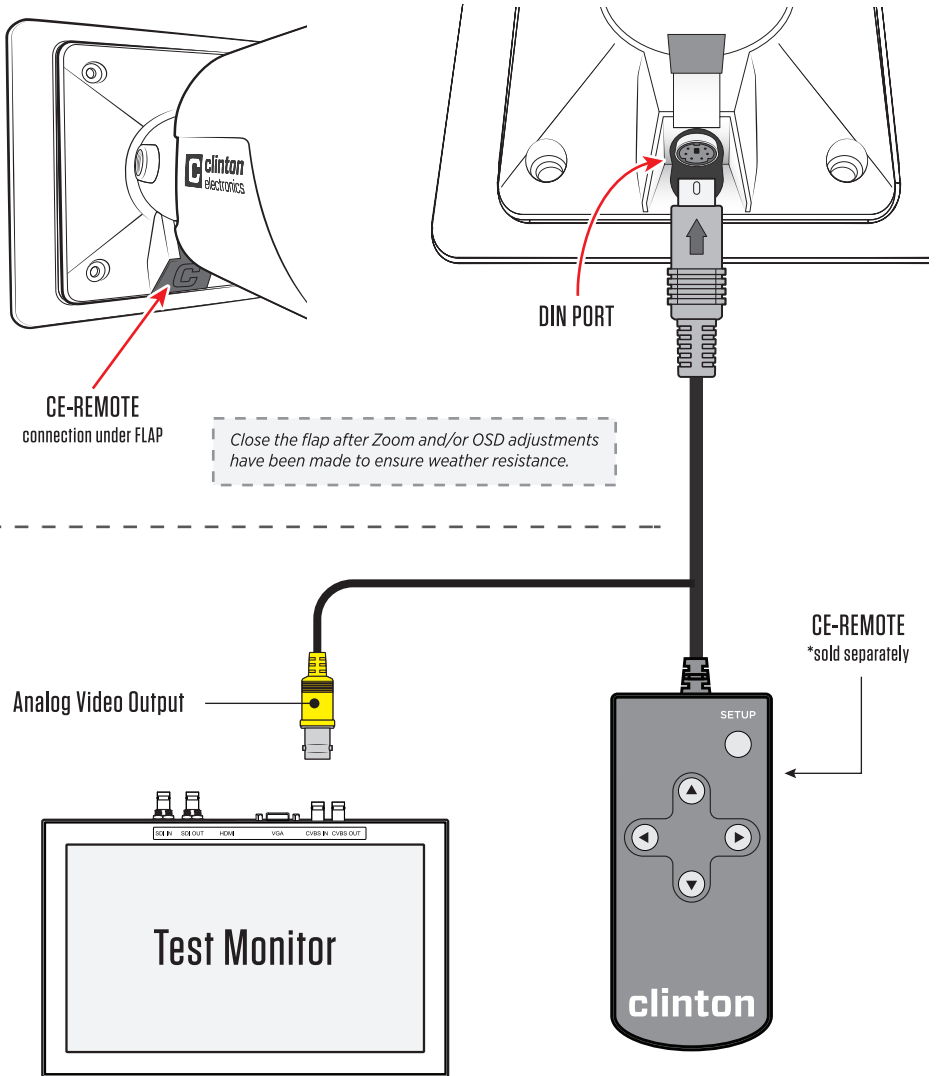


With the camera hooked onto the mounting plate, use the supplied 4 hex head bolts and 3mm Allen wrench to secure in place.



## 6. TEST MONITOR / OSD CONTROL

Before proceeding with final assembly it is suggested to test the camera with a test monitor to verify proper camera angle/zoom. To test, lift the rubber flap on the camera base to access the DIN jack, then plug in a CE-REMOTE (sold separately). Connect an analog test monitor to the Yellow connector from the CE-REMOTE.



*Close the flap after Zoom and/or OSD adjustments have been made to ensure weather resistance.*

Analog Video Output

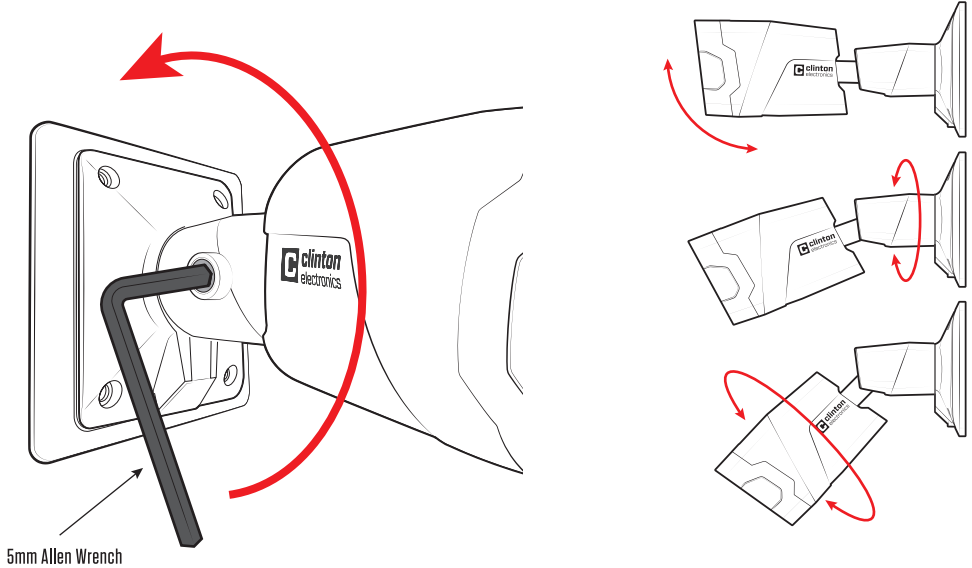
CE-REMOTE  
\*sold separately

Test Monitor

**THE TEST MONITOR CONNECTION ON THE CE-REMOTE IS ONLY AN ANALOG VIDEO OUTPUT . CERTAIN OSD MENU OPTIONS ARE EX-SDI/HD-SDI ONLY AND WILL NOT DISPLAY VIDEO IF CONNECTED TO AN ANALOG MONITOR.**

## 7. CAMERA ANGLE ADJUSTMENT

Loosen the hex-head bolt on the camera base with the included 5mm Allen wrench. Adjust the camera angle as needed. After the desired angle is achieved, tighten the hex-head bolt to hold the camera in that position.

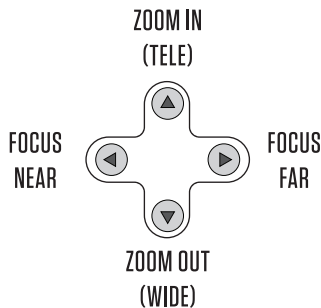


## 8. ZOOM / FOCUS ADJUSTMENT

The lens will auto focus once powered; this can take several seconds. To set the zoom use the directional buttons on the CE-REMOTE. Press UP to zoom in & press DOWN to zoom out.

After the zoom adjustment has been made the camera will auto focus again; this can take several seconds.

To manually adjust the focus: from the OSD Menu, change the AF MODE to Manual, then press either the LEFT or RIGHT buttons to manually set the focus. The camera will no longer Auto Focus if set to Manual.



### NOTICE

Upon initial installation/power ON of camera the camera will begin to focus on the current scene. If there is an obstruction of the lens (installer or equipment in-front of camera), the camera might focus on those objects and could appear out of focus. To refocus the camera either adjust the level of zoom (zoom in / zoom out) or power cycle the camera (power off - power on).

## 9A. ZOOM / AUTO FOCUS OSD MENU - (for BZ0HDL, BZ1HD & BZ2HD)

Using the CE-REMOTE press 'SETUP' to access the camera's OSD menu.

While on the ZOOMFOCUS option, click press 'SETUP' to enter the sub-menu.

EXHD 2.0	
0. ZOOMFOCUS	↕
1. EXPOSURE	↕
2. WHITE BAL	ATW
3. IMAGE ADJ	↕
4. BACKLIGHT	OFF
5. DAY&NIGHT	AUTO ↕
6. DNR	MIDDLE
7. SPECIAL	↕
8. SERIAL	↕
9. SYSTEM	↕
10. EXIT	SAVE

0. ZOOMFOCUS	
AF MODE	AUTO
SCANNING	FULL
ONEPUSHAF	ON
SYNC TDN	OFF
LENSRESET	ON
INITIALIZE	ON
RETURN	↕

**AF MODE:** Choose either AUTO or MANUAL.

**AUTO** will focus automatically after zooming in/out.

**MANUAL** allows for manual focus using the joystick or D-Pad of CE-REMOTE.

*Refer to OSD Manual for detailed instructions on adjusting camera settings.*

**SCANNING:** Choose either HALF or FULL.

**HALF**- the lens scans only the current focal length, taking up to 30 seconds.

**FULL**- the lens scans the entire focal length, taking up to 1 minute or longer.

**ONEPUSHAF:** Press and hold the SETUP button to force the lens to Auto Focus to the current zoom level/focal length.

**SYNC TDN:** Set to ON to automatically change the focus when the camera switches from Day to Night mode.

**LENSRESET:** Press and hold the SETUP button to reset the focus of the lens.

**INITIALIZE:** When 'ON' the lens will automatically refocus during boot up/power on, even if set to Manual. For areas prone to storms/power outages set to 'OFF' to lock the focus and prevent the camera from refocusing during boot up.

## 9B. ZOOM / AUTO FOCUS OSD MENU - (for BZ3HD)

Using the CE-REMOTE press 'SETUP' to access the camera's OSD menu.

While on the ZOOMFOCUS option, press 'SETUP' to enter the sub-menu.

CLINTON	
1. ZOOMFOCUS	↕
2. EXPOSURE	↕
3. WHITE BAL	↕
4. IMAGE ADJ	↕
5. BACKLIGHT	OFF
6. DAY&NIGHT	EXT-IN ↕
7. SPECIAL	↕
8. SYSTEM	↕
[EXIT]	[SAVE] [DFLT]

ZOOMFOCUS	
AF MODE	CONSTANT
DISTANCE	1.0m
ZOOM SPEED	■■■■■□□ 7
LENS RESET	ON ↕
E. ZOOM	OFF
[BACK]	[SAVE] [DFLT]

**FOCUS:** Choose either AUTO, ONE PUSH or MANUAL.

**CONSTANT**- the lens will constantly re-adjust the focus depending on how close objects are to the camera.

**ONE TIME**- the focus will only be set after any zoom adjustments have been made, it will not re-adjust.

**MANUAL**- allows for manual focus using the D-Pad on the CE-REMOTE.

**DISTANCE:** Select minimum distance in focus between camera and object.

**ZOOM SPEED:** Set zoom speed; 0 (slow) - 7 (fast).

*Refer to OSD Manual for detailed instructions on adjusting camera settings.*

**LENS REFRESH:** Reset the focus of the camera while in the OSD menu with ONE PUSH.

**E. ZOOM:** Set the maximum level of digital zoom.

**ZOOM PRESET:** This function has been disabled on this model camera.

# EX-SDI

*This camera's default SDI video output is set to: EX-SDI 4MP*

## 4MP COMPATIBILITY

The EX-SDI 4 Megapixel camera image will only display on a **4MP EX-SDI DVR** or other EX-SDI 4MP device.

~~HDSDI~~ ~~HDCVI~~ ~~HDTVI~~ ~~AVD~~ ~~ANALOG~~

Use the **BLACK BNC connector for EX-SDI 4MP** Output (Yellow connector is analog).



EX-SDI 4MP

**ANALOG VIDEO**  
for test monitor  
connection



Turning **WDR 'ON'** will cause noise in the **Analog** signal.

## 4MP DISTANCE

The camera is defaulted to **EX-SDI 4MP**, which is capable of transmitting video up to **800'** over RG59 coax cable.

For greater distance change the SDI Output to a lower resolution (2MP).

SDI OUTPUT	DISTANCE	RESOLUTION
EX-SDI 4MP	800'	QHD - 1440p
EX-SDI 2.0	1,400'	FHD - 1080p
EX-SDI 1.0	800'	FHD - 1080p
HD-SDI	275'	FHD - 1080p

## 4MP SDI Output

To change the 4MP Output: Enter the OSD Menu of the camera, then access the SYSTEM Menu. Change the frame rate from 1440p to either 1080p or 720p, then select the desired SDI Output (EX-SDI 2.0, EX-SDI 1.0, or HD-SDI).

Step 1:  
Change Frame Rate

SDI OUTPUT

**FRAME RATE**

VIDEOSYS

CVBS FILTER

LANGUAGE

CAM TITLE

RESET

RETURN

**EX-SDI 4MP**

1440 30p

NTSC

OFF

ENG

OFF

ON

Step 2:  
Change Output