

CE-VX30(B)

Vandal X True D/N IR Dome Camera + Heaters

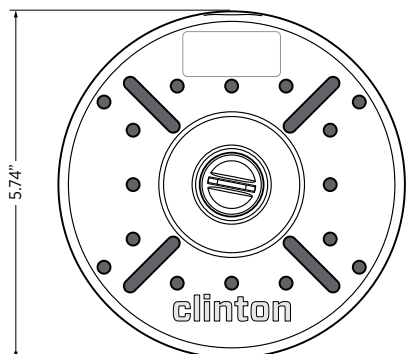
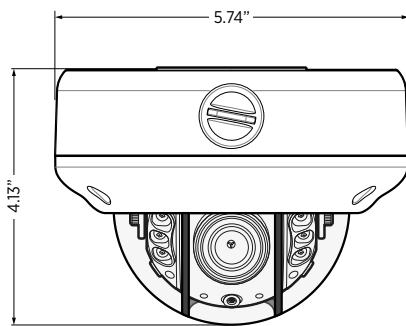


CE-VX30B (Blk)

KEY FEATURES:

- 1/3" SONY Super HAD II CCD (960H)
- 700 TVL Resolution
- 2.8-12mm (f1.4) True D/N Lens
- 6 High Intensity IR LEDs w/ IR Shield Technology
- NX4 Digital Signal Processor
- OSD Menu Control via Built-In Joystick or CE-REMOTE
- Mounts to large variety of Conduit Boxes
- RVM*** (Rated Voltage Monitoring)
- DC12V/AC24V
- IP68 Weather Rated
- Built-In Heaters
- UL Listed

DIMENSIONS:



BOTTOM VIEW

CAMERA	
Image Sensor	1/3" SONY Super HAD II CCD (960H)
Resolution	700 TVL
Effective Pixels	976 (H) x 494 (V)
Scanning System	2:1 Interlace
S/N Ratio	52dB (AGC Off)
Sync System	Internal / Line Lock
Minimum Illumination	0.15 Lux (Color), 0.0006 Lux (Sens-Up) 0 Lux w/ IR LEDs
Shutter Speed	Auto / Manual (1/60, 1/50 - 1/100,000)
Lens	2.8-12mm (f1.4) True D/N Lens
Filed of View	92° - 28° (Horizontal)
Video Output	1.0 Vp-p, 75Ω
Power Consumption	DC12V: 810mA (Max.) AC24V: 300mA (Max.)
Frequency	Horizontal: 15.734 KHz, Vertical: 59.94 Hz
Power Requirement	DC12V / AC24V
Operating Temperature	-40°F - 122°F / -40°C - 50°C
Operating Humidity	95% RH Max.
Weather Rating	IP 68
IR LEDs	6 High Intensity IR LEDs
Heaters/Fan	Heaters
Materials	Aluminum Case w/Polycarbonate Dome
Dimensions	5.74" (Dia.) x 4.13" (H) / 145.8mm (Dia.) x 104.9mm (H)
Weight	2.75 lbs / 1,247g

OSD	
DSP Type	NX4
Menu Control	OSD Menu Control via Built-In Joystick or CE-REMOTE
Exposure	Brightness, Shutter, AGC, Sens-Up
White Balance	ATW, Push (AWC Set), Manual
Image Adjust	Sharpness, Mirror, Shading, Defog
Backlight	HLC, BLC, DWDR (Digital Wide Dynamic Range)
Day & Night	Auto, Extern, Color, B&W
DNR (3DNR)	Off, Low, Middle, High
Special	Privacy, Motion
Other	Defect, Language, Camera Title

ACCESSORIES	
CE-REMOTE	Plug in OSD remote
CE-VXWB(B)	Wall Bracket (White or Black)
CE-VXAP(B)	Adapter Plate for Wall Bracket
CE-VXDC(B)	Deep Case. Additional 1.1" of space. (White or Black)
CE-VXPC	Pendant Cap. Mounts to poles or conduit.
CE-VXDPC	Deep Pendant Cap. Additional 1.1" of space.
CE-VXRM(B)	Recess Mount (White or Black)
CE-VXPCSS	Vandal X Stainless Steel Pendant Cap

RVM - Rated Voltage Monitoring	
LED COLOR	STATUS
GREEN	Correct Voltage (DC12V / AC24V)
RED - SOLID	Over Voltage: >29 Volts (AC24V)
RED - BLINK	Under Voltage: <10 Volts (AC24V)

***RVM (Rated Voltage Monitoring) indicates correct/incorrect voltage at camera with LED indicator light. RVM helps prevent premature camera failure do to under or over-powered cameras.

CERTIFICATIONS:

