

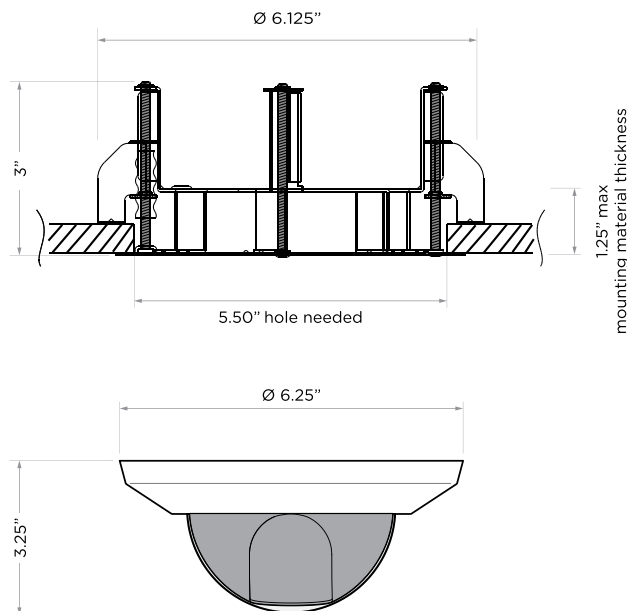
CE-RMC40 Indoor Recess Mount D/N Dome Camera



INFO:

- 1/3" SONY 1.3 Megapixel CMOS Exmor Sensor
- 1,000 TVL Resolution
- 2.8-12mm (F1.2) Lens (True D/N Version)
- S7 Digital Signal Processor (DSP)
- OSD Menu Control via Built-in Joystick or CE-REMOTE
- 3 Axis Adjustment
- DC12V/AC24V
- Dome Cover Attaches with High-Strength Magnets
- Includes Optional Safety Cable
- Screw Activated Wings Grasp onto Mounting Material
- Mounts to Material up to 1.25" Thickness
- Use 5-1/2" Hole Saw for Material Cutout
- 3" Installation Depth Required (After Cutout)

DIMENSIONS:



SPECIFICATIONS:

CAMERA	
Image Sensor	1/3" SONY 1.3 Megapixel CMOS Exmor Sensor
Resolution	1,000 TVL
Effective Pixels	1305 (H) x 1049 (V), 1.37M Pixels
Scanning System	Progressive
S/N Ratio	52dB
Sync System	Internal
Minimum Illumination	0.00001 Lux (Sens-Up x64)
Shutter Speed	1/60 - 1/60,000 sec.
Lens	2.8-12mm (F1.2) Lens (True D/N Version)
Video Output	1.0 Vp-p, 75Ω
Frequency	Horizontal: 15.734 KHz, Vertical: 59.94 Hz
Power Consumption	Max. 220mA (DC12V), Max. 110mA (AC24V)
Power Requirement	DC12V / AC24V
Operating Temperature	32°F -113°F / 0°C - 45°C
Operating Humidity	90% RH Max.
Weather Rating	N/A
IR LEDs	N/A
Heaters/Fan	N/A
Materials	Camera: Plastic Housing w/Polycarbonate Dome Recess Mount: Steel
Dimensions (Installed)	6.25" (Dia.) x 3.25" (H) / 121.9mm (Dia.) x 93.9mm(H)
Weight	1.2 lbs / 0.54 kg

OSD	
DSP Type	S7
Menu Control	OSD Menu Control via Built-In Joystick or CE-REMOTE
Exposure	Brightness, Shutter, AGC
Sens-Up	Yes (x2 - x64)
White Balance	ATW, AWB, AWC-Set, Manual
Digital Dynamic Range	Yes
Backlight Control	BLC, HLC, WDR
Day/Night	Auto, Color, B&W, External
Noise Reduction	3DNR
Camera Title/ID	N/A
Sync	N/A
Monitor	View Angle (4:3 / 16:9)
Motion Detection	(Intelligent) 4 Zones
Privacy Masking	15 Zones
Digital Image Stabilization	N/A
Dead Pixel Control	N/A
Digital Effects	Digital Zoom, D-WDR, Defog, Image Flip
Languages	English, Chinese, Japanese, Korean
Other	Sharpness, Gamma, Pedestal, Color Gain

ACCESSORIES	
CE-REMOTE	Plug in OSD remote

CERTIFICATIONS:

