

CE-PTZ20XHDR Install Guide

Included Items:

- Camera x 1
- Pendant Cap x 1
- Wall Mount Arm x 1
- Silicone Mounting Pad x 1
- Cable Harness x 1

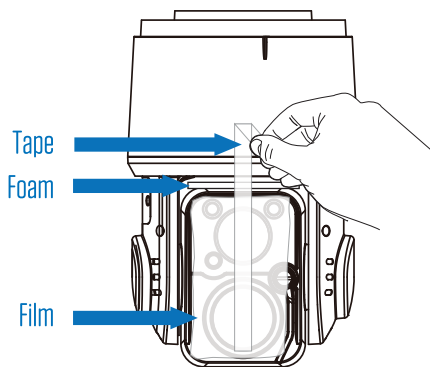
- Screw/Plug Tightening Tool x 1
- Wall Mount Locking Screws x 2
- Installation Manual x 1
- Expansion Fasteners x 4
- Replacement Wiper Blade

Required Items:

- Power Supply
- PTZ Keyboard

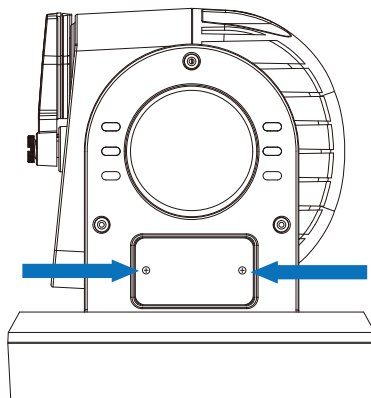
1. REMOVE PROTECTIVE PACKING

Peel off the tape which holds the camera head in place, then remove the foam packing ring between the camera body and camera head, and remove the protective film from the face of the camera.



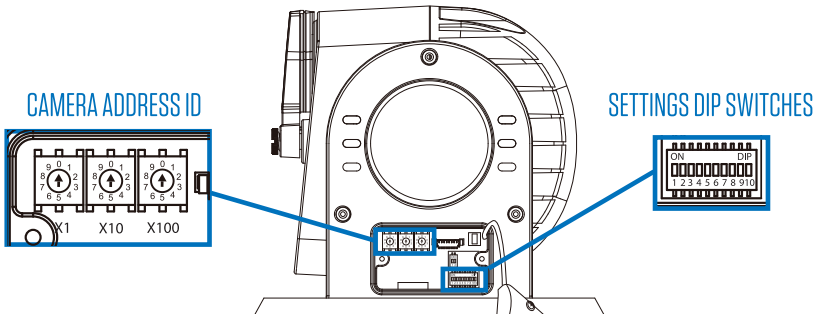
2. REMOVE SWITCH COVER

To access the dip switches, and address ID dials, remove the two Phillips head screws from the access panel located on the side of the camera, and remove the access panel.



3. SET DIP SWITCHES

Set the camera address, protocol, and termination settings with the dip-switches and dials. Selected address and settings will be shown on-screen during the initial power-up sequence.



Address ID Number

Use the three rotary digit dials to set the Address ID number for the camera. Camera address ID numbers can be set from 1-255. Dials set to any number over 255 will default to 255.

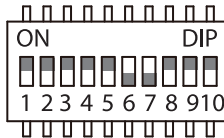
- The X1 dial defines the 1's-digit address position.
- The X10 dial defines the 10's-digit address position.
- The X100 dial defines the 100's-digit address position.

EXAMPLE:

1's Position	10's Position	100's position
X1 Dial= 1	X10 Dial= 0	X100 Dial= 0
Camera ID= 001		

Settings & Termination

Use the dip switches to configure the PTZ camera to the desired settings. Dip Switch #9 Termination Note: The device which is connected at the end of the line must have the cable communication terminated. Without proper termination, there is potential for control signal errors.



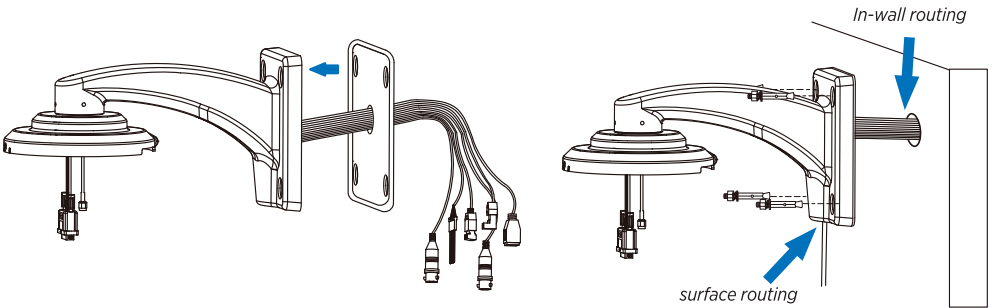
PROTOCOL	1	2	3	BAUDRATE	4	5	6	COMM.	7	NTSC/PAL	8	TERMINATION	9
CLINTON*	OFF	OFF	OFF	2400	OFF	OFF	OFF	RS-485*	ON	PAL	ON	ON	ON
PELCO-D	OFF	OFF	ON	4800*	OFF	OFF	ON	RS-422	OFF	NTSC*	OFF	OFF*	OFF
PELCO-P	OFF	ON	OFF	9600	OFF	ON	OFF						
WTX	OFF	ON	ON	19200	OFF	ON	ON						
EZP	ON	OFF	OFF	38400	ON	OFF	OFF						
CLINTON	ON	OFF	ON	57600	ON	OFF	ON						
CLINTON	ON	ON	OFF	115200	ON	ON	OFF						
CLINTON	ON	ON	ON	2400	ON	ON	ON						

Dip switch 10 is disabled on this model.

*Indicates default setting

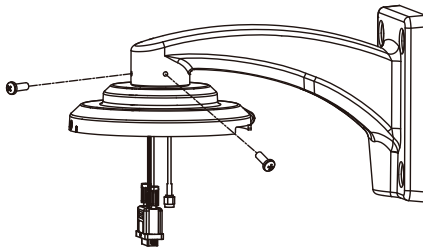
4. ATTACH WALL MOUNT BRACKET

- a. Remove protective film from the edge of the silicone mounting pad to reveal the adhesive surface. Press adhesive side firmly onto wall mount base to affix to the wall mount.
- b. Make cable connections at the wall mounting end, and feed cable ends through the threaded opening of the bracket. Feed any excess cables into the mounting surface, or into the bracket arm.
- c. If surface routing the cables, remove the plug located on the bottom of the mounting bracket.
- d. Attach the bracket to the mounting surface using the included masonry anchors, or other appropriate hardware.



5. SECURE PENDANT CAP

Attach M4 screws into front and side of wall mount bracket to secure the pendant cap to the wall mount bracket.

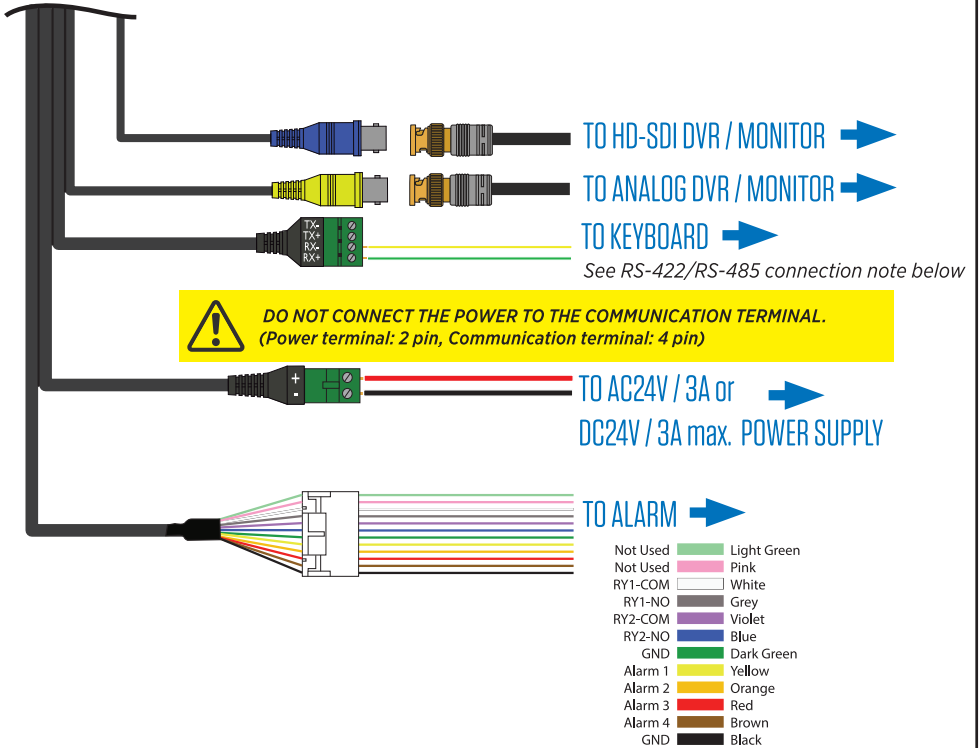


6. CONNECT CABLES

Connect the power, video, and communication cables to the corresponding connection terminals located on the door of the pendant cap.

Cables Through Wall Mount Bracket

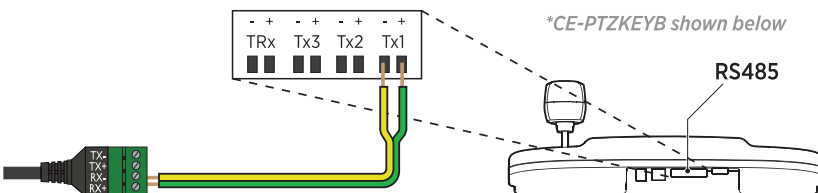
Do Not Connect to Camera body yet.
Continue on to steps on next pages.



RS-422/RS-485 Connection

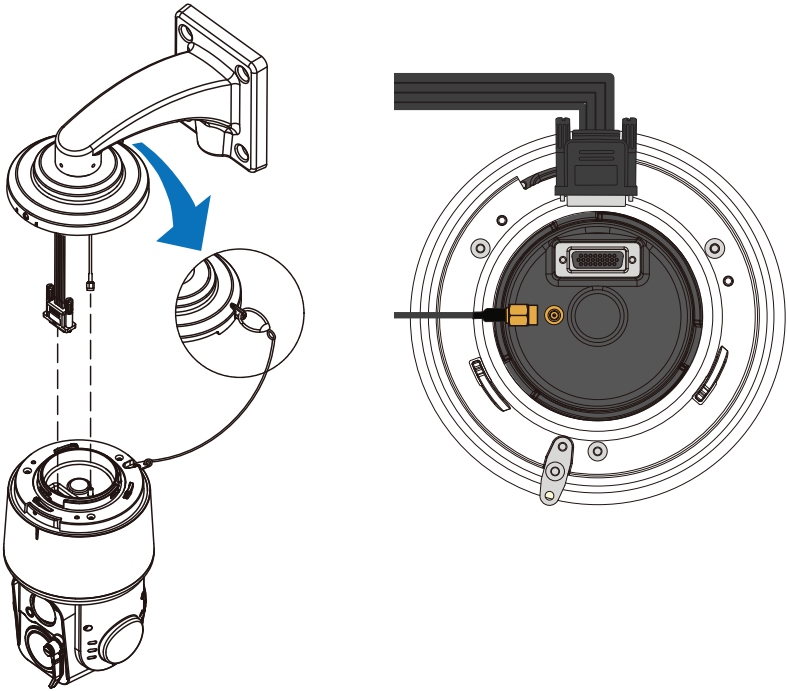
The PTZ can be controlled by an external device or control system such as a keyboard or DVR using the RS-485 half duplex, or RS-422 duplex or simplex serial communication signals.

Connect Rx+ and Rx- on the PTZ communication cable to Tx+ and Tx- on the controller. Total length of the cable should not exceed 3,900 feet.



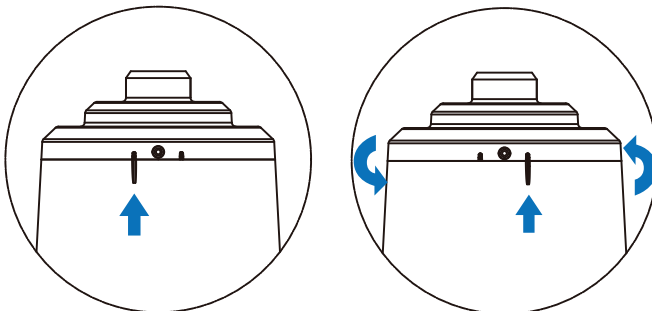
7. ATTACH SAFETY CABLE & CABLES

- a. Secure the camera body to the mounted pendant cap by clipping the safety cable clip onto the eyelet hole located on the side of the pendant cap.
- b. Attach cables to camera base.



8. LOCK CAMERA TO CAP

Lock the camera to the pendant cap by aligning the line on the camera body to the first (left) line on the pendant cap, then rotate the camera body clockwise (right) until the camera body line aligns with the second (right) line on the pendant cap.



9. SECURE CAMERA TO BRACKET

Using a Phillips head screwdriver, tighten the locking screw on the pendant cap.

