

CE-SPD

EX-SDI & Analog Surge Protection Device



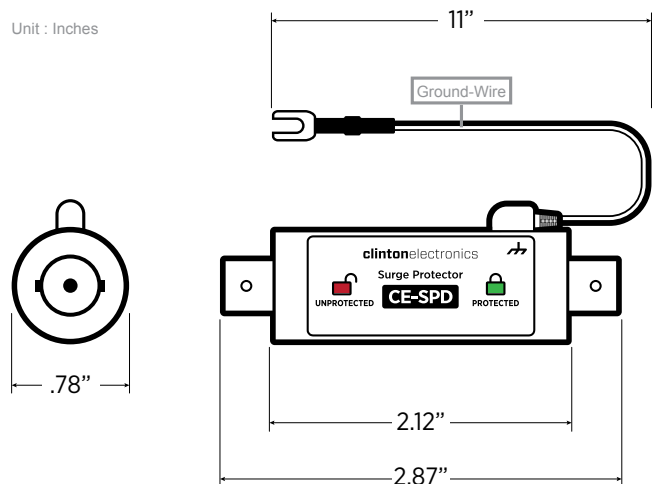
Key Features:

- Protects cameras and DVRs from inductive power surges
 - 20kA of surge protection
 - Supports digital and analog CCTV video signals
- | | |
|-----------------|--------------------------|
| DIGITAL: | ANALOG: |
| · EX-SDI | · CVBS / Standard Analog |
| · EX-SDI 2.0 | · CVI |
| · EX-SDI 4MP | · TVI |
| | · AHD |
- Passive device (no power required)
 - Aluminum Housing

VIDEO INPUT/OUTPUT	
SDI	EX-SDI, EX-SDI 2.0, EX-SDI 4MP (auto detects)
Analog	CVBS, HD-Analog: CVI, TVI, AHD
GENERAL	
Nominal Line Voltage	48VDC
Max DC Operating Voltage	60VDC
Max Current	750mA
Max Frequency	≤ 270MHz
Insertion Loss	≤ 2dB
Nominal Discharge Current (In)	20kA
8/20µs impulse - 10 times	
Max Discharge Current (Imax)	25kA
10/350µs impulse - 1 times	
Lightning Impulse Current (Iimp)	5kA
10/350µs impulse - 2 times	
Clamping Voltage	20V
Band Pass Range	270MHz
Weight	0.1 lbs / 0.04 kg
Operating Temperature	32°F - 122°F / 0°C - 50°C
Operating Humidity	0-80% RH
Dimensions (L x Dia)	2.87" x .78" / 73mm x 20mm
Weight	0.1 lbs / 0.04 kg

Dimensions:

Unit : Inches

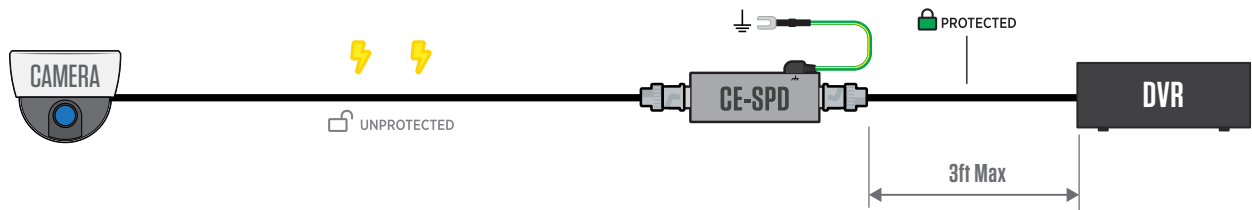


This device does not protect against direct lightning strikes.

Ground-Wire must be used to protect equipment from surge.

Connection Diagram (Example):

Basic Connection - (DVR protected)



Optimal Connection - (Camera & DVR protected)

