

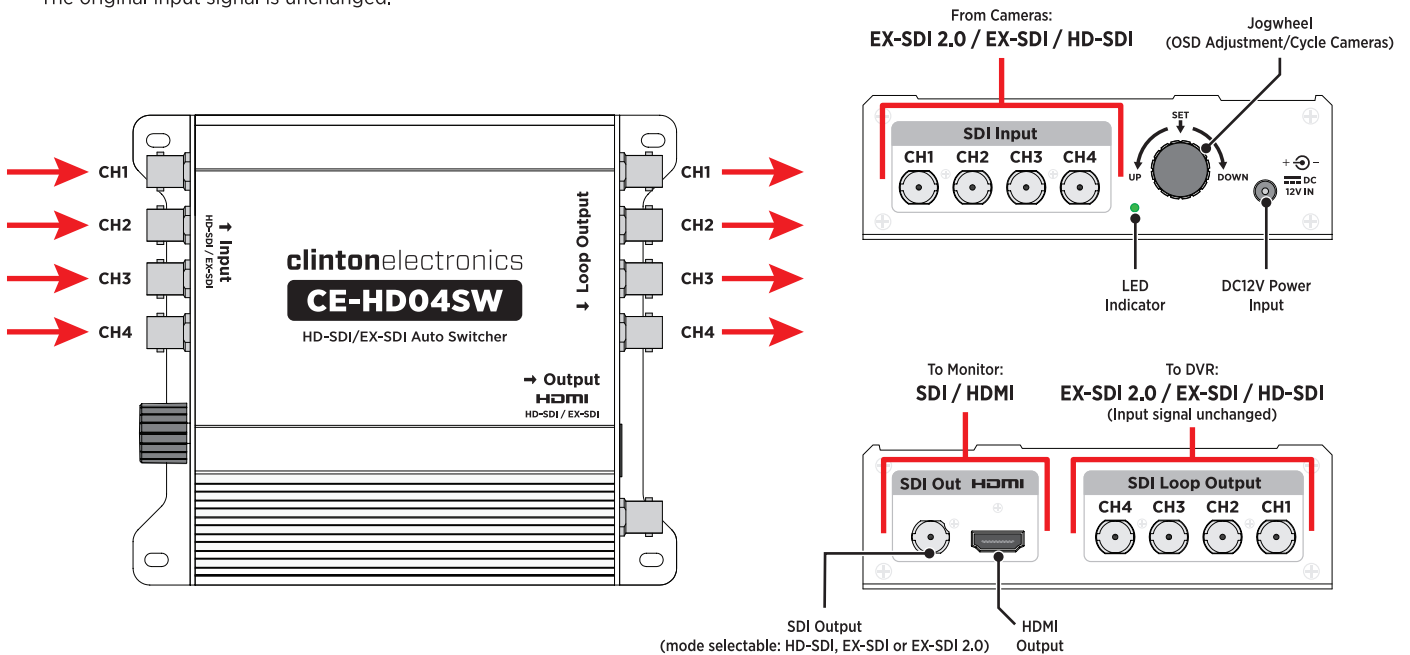
CE-HD04SW User Guide

4ch EX-SDI/HD-SDI Switcher

Use with an assortment of 4 EX-SDI 2.0, EX-SDI & HD-SDI cameras to display the 4 cameras in a quad view or sequence the images on an HDMI and/or HD-SDI monitor. The original input signal is passed through via loop-outs to the DVR.

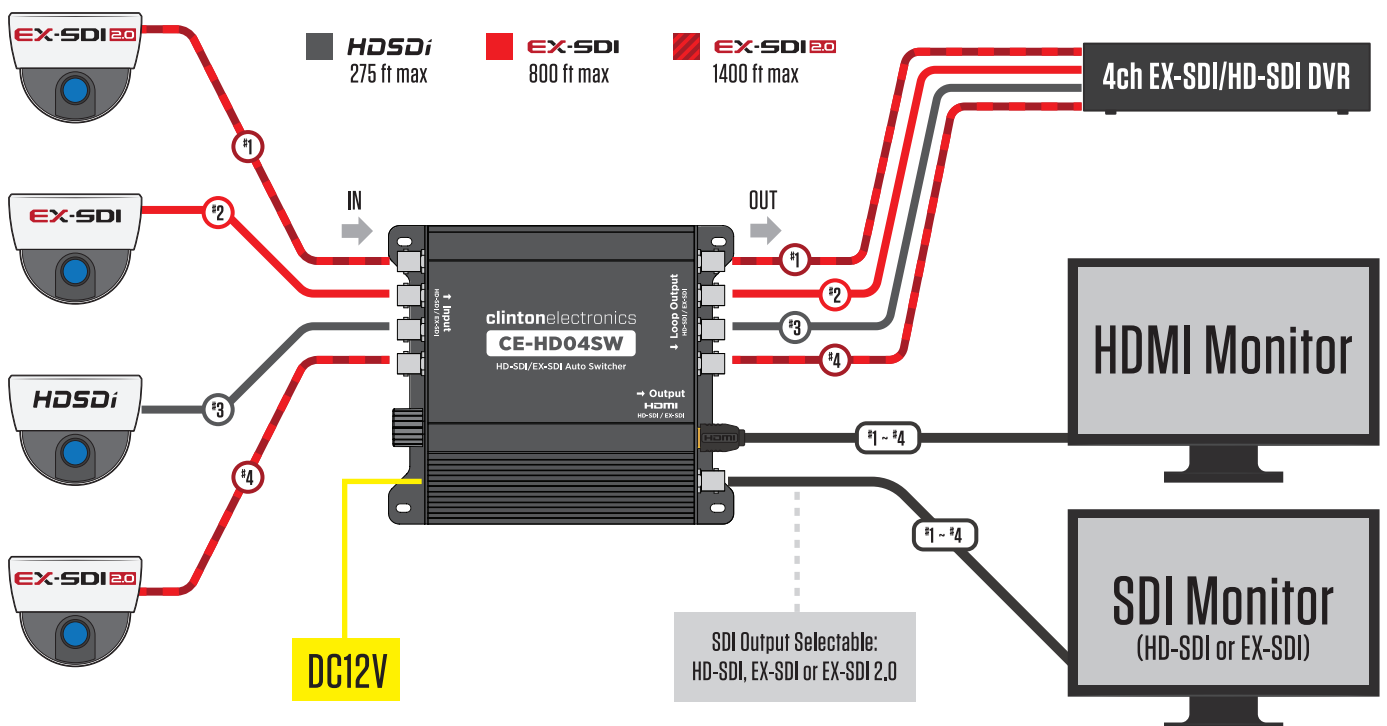
1. Connect the digital output (EX-SDI 2.0, EX-SDI or HD-SDI) from camera into the desired connection on the CE-HD04SW marked **SDI INPUT**. Repeat this step to fill available inputs.
2. Connect the desired **OUTPUT** (HDMI or SDI Output) from the CE-HD04SW to an appropriate device such as a DVR or Monitor. The HDMI/SDI output signal frame rate and resolution can be adjusted by accessing the OSD menu.
3. Make connections marked **LOOP OUTPUT** to DVR or other device. The original input signal is unchanged.

4. Connect DC12V power to the device, **power supply sold separately**.
5. With correct power and video connections the LED indicator will illuminate red during initial bootup and will change to green to indicate normal operation. Bootup can take 10 seconds or longer, during bootup no image will display on connected sources.
6. After bootup the device will go in to Sequence Mode or Quad Mode, depending on the option selected in the System Settings menu. Refer to the next page to make adjustments to the display mode.



CONNECTION DIAGRAM

Below is an example of possible installation using this device. The camera inputs can be a mix of EX-SDI 2.0, EX-SDI & HD-SDI signals or can be all of one type of signal. The maximum output HD-SDI signal distance of this device is 275 ft.



Accessing the OSD Menu

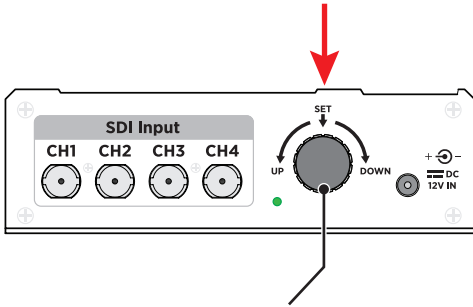
Press 'IN' (SET) on the jogwheel to access the OSD menu and to adjust the display mode, sequence time duration, rename or disable camera names and change HDMI and/or SDI output settings.

The OSD menu will display as a vertical strip on the left side of a connected monitor. The OSD menu will timeout after 10 seconds of no activity.

Navigate the OSD menu by turning the jogwheel left or right. The selected menu item will be indicated by a green box. To select the highlighted menu item press SET on the jogwheel.

After the desired settings have been changed, select 'EXIT' to save the settings and close the OSD Menu.

Press inwards on the jogwheel (SET)



Rotate jogwheel LEFT/RIGHT to navigate

LEFT: UP through menu
RIGHT: DOWN through menu

- Start Sequence
- Stop Sequence
- Forward 1 Camera
- Back 1 Camera
- Quad Mode
- Sequence Timer
- System Settings
- Exit

The OSD will disappear after 10 seconds of no activity.

System Settings Menu:

Navigate through the menu using the jogwheel. The currently selected item is highlighted with a red outline. To make adjustments to that item press 'IN' (SET) on the jogwheel. The selected item will turn solid RED while selecting available options.

After the desired settings have been changed, select 'EXIT' to save the settings and close the OSD Menu.

Output Resolution: SDI **HD1080P30** HDMI 1080P30

Display SET: CH Title **ON** Border Line **ON**

Display Mode: Auto Sequence

Channel Title: EDIT *Select to RE-NAME Cameras*

Channel Title Location: Left

Sequence SET:

Sequence Interval (Sec) **10**

Edit Auto Sequence *Change the order of cameras shown in Sequence mode*

Video Loss: OFF **Buzzer:** OFF **Buzzer Time:** 05

Load Default

Exit *Turn ON/OFF beep*

Shown at Right:

Display Mode: QUAD

CH Title: ON

Borderline: ON

CH Title: Left

HDSDi	EX-SDI	EX-SDI ^{2.0}
HD1080P30	1EX1080P30	2EX1080P30
HD720P60	1EX720P60	2EX720P60

WHEN CHANGING OUTPUT ENSURE CONNECTED DEVICE SUPPORTS SIGNAL TYPE AND FRAME RATE.

If a camera is not connected to an input or Video Loss occurs, that camera will be skipped during Sequence Mode.