

CE-HD04SW

EX-SDI 2.0 Quad Sequencer



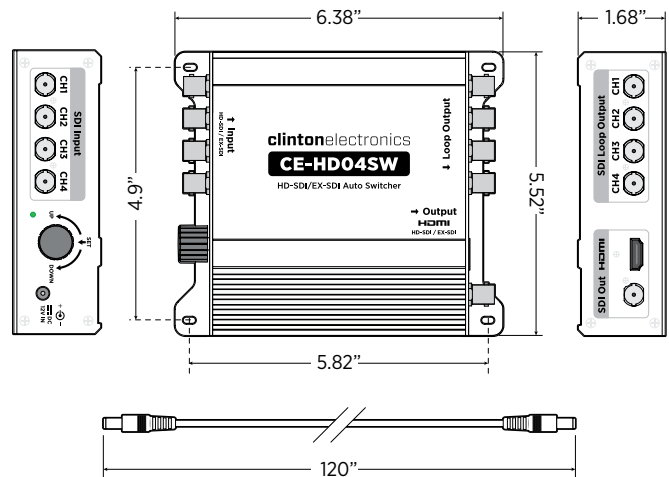
VIDEO INPUT	
Channels	4ch EX-SDI 2.0, EX-SDI, HD-SDI (BNC)
Resolution	Full HD 1920 x 1080p @ 30fps HD 1280 x 720p @ 30/60 fps
VIDEO OUTPUT	
Loop-Out Channels	4ch EX-SDI 2.0, EX-SDI, HD-SDI (no signal change)
Quad/Sequence Channels	1ch HDMI 1ch EX-SDI 2.0, EX-SDI, HD-SDI (output selectable)
SDI Output Resolution	Full HD 1920 x 1080p @ 30fps HD 1280 x 720p @ 60 fps
HDMI Output Resolution	Full HD 1920 x 1080p @ 30fps / 60fps Ultra HD (4K) 3840 x 2160p @ 30 fps
GENERAL	
Power Requirement	DC12V / 1A
Power Consumption	0.6A (600mA) ± 10%
Operating Temperature	32°F - 122°F / 0°C - 50°C
Operating Humidity	0-80% RH
Dimensions (L x W x H)	6.38" x 5.52" x 1.68" / 162mm x 140mm x 43mm
Weight	1.25 lbs / 0.56 kg

Key Features:

- 4 EX-SDI 2.0/HD-SDI Inputs
- 4 EX-SDI 2.0/HD-SDI Outputs (Loop-out, no signal change)
- 1 4K HDMI Output (quad or sequence mode)
- 1 EX-SDI 2.0/HD-SDI Output (quad or sequence mode, SDI selectable)
- Quad Screen, Sequence or Full Camera display modes
- Adjustable resolution output for HDMI & EX-SDI 2.0/HD-SDI
- OSD Jogwheel to make display mode adjustments
- DC12V (Power Supply Sold Separately)
- Includes 10ft Male to Male 12V Barrel Plug Cable

Dimensions:

Unit - Inches



Connection Diagram (Example):

