

CE-CMDH

Back to Back Monitor Bracket for Telescopic Mount Installations

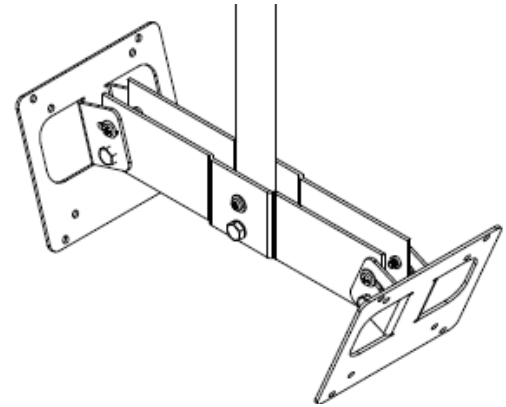
This adaptor allows two monitors to be mounted back to back from a Clinton Electronics telescoping ceiling mount monitor pole. Compatible models include:

- CE-CM-SX-3
- CE-CM-SX-6
- CE-CM-LX-12

Warnings and Safeguards

Prior to installation and use of this product, please observe the following warnings:

1. Installation and servicing should be done by qualified personnel, and all work done should conform to local codes.
2. Total load capacity not to exceed 35 pounds. Exceeding the maximum weight indicated may result in collapse of the mount and its accessories causing possible injury.



CE-CMDH

WARNING

This Ceiling Mount adaptor is intended for use with monitors 20" or smaller. The total load for this bracket should not exceed 35lbs. Exceeding the maximum weight indicated may result in collapse of the mount and its accessories causing possible injury.

Tools Required

#2 Phillips Screwdriver
7mm Wrench
7/16" Wrench (2)

Hardware Included

#8-32 x 3/8" Pan Head Screw (4)
1/4-20 x 2" - Hex Cap Screw (2)
1/4-20 - Lock Nut (2)
1/4" Flat Washer (4)

Bracket Components

Crossbar (2)
LCD VESA Bracket, 1-1/4" w/ Screws

Verify that all of the hardware and bracket components listed above are included with this kit. If parts are missing please contact Clinton Electronics at 800-447-3306

NOTE

This bracket uses fasteners and accessories included with the Clinton Electronics telescoping ceiling mount monitor pole. Read assembly instructions carefully when installing.

Assembly Instructions

- 1) Install Telescopic Ceiling Mount to building structure per installation instructions included with the mount.
 - a) Do not attach the VESA plate to the Telescopic Ceiling Mount down tube.
- 2) Attach the two Crossbars to the down tube of the Telescopic Ceiling Mount as described below. Refer to Figure 1.
 - a) 1-1/4" tube Installation
 - Bracket
(B) Crossbar (2) - Supplied with this kit
 - Hardware
 - (C) 1/4-20 x 2" bolt (1) - Supplied with the telescoping mount
 - (H) 1/4-20 Washer (2) - Supplied with the telescoping mount
 - (E) 1/4-20 Lock nut (1) - Supplied with the telescoping mount
 - (D) M4 x 45mm bolt (1) - Supplied with the telescoping mount
 - (G) M4 Washer (2) - Supplied with the telescoping mount
 - (F) M4 Nut (1) - Supplied with the telescoping mount

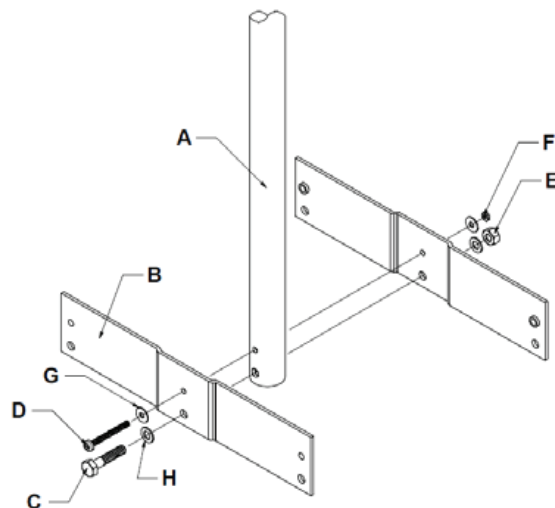


Figure1

3) Install the VESA Plates to the ends of the Crossbars. Refer to Figure 2.

a) 1-1/4" tube Installation

- Bracket
(K) 1-1/4" VESA Bracket (1) - Supplied with this kit
(K) 1-1/4" VESA Bracket (1) - Supplied with the telescoping mount
- Hardware
(C) 1/4-20 x 2" bolt (2) - Supplied with this kit
(E) 1/4-20 Washer (4) - Supplied with this kit
(H) 1/4-20 Lock nut (2) - Supplied with this kit
(I) #8-32 x 3/8" Pan Head Screw (4) - Supplied with this kit

b) Tighten the #8 screws when the appropriate angle of the bracket is determined.

c) Tighten the 1/4" bolts only enough to remove the gap between the bolt and the bracket. Do not over tighten.

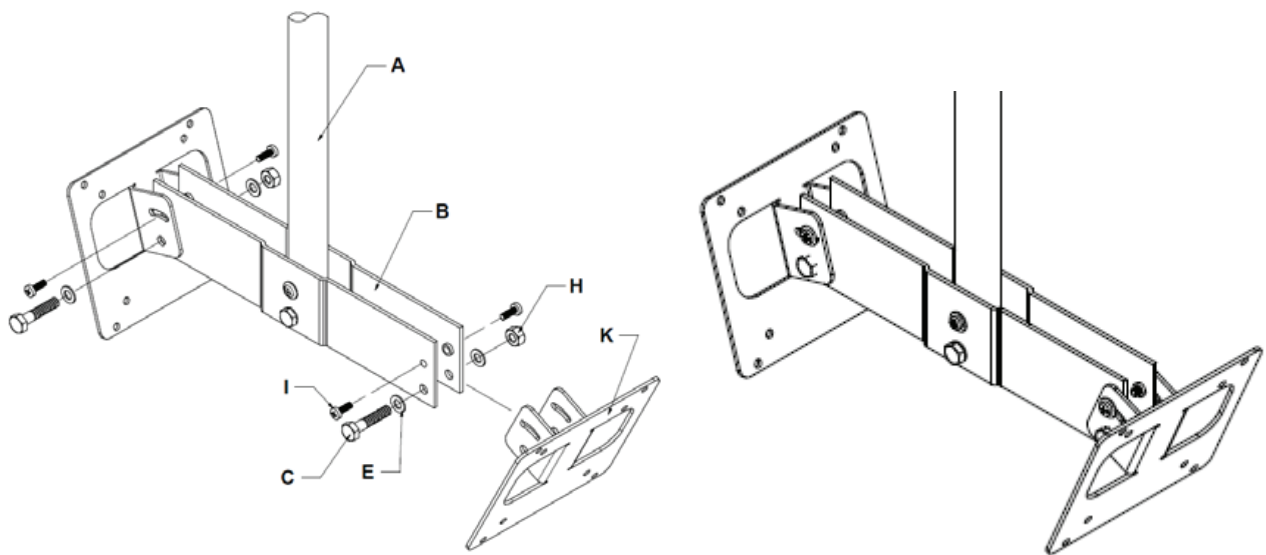


Figure2

NOTE

This bracket uses fasteners and accessories included with the Clinton Electronics telescoping ceiling mount monitor pole. Read assembly instructions carefully when installing.

- 4) Attach the monitors to the VESA Plates using M4 x 8mm screws.
- a) Hardware
 - (L) M4 x 8mm (4) - Supplied with this kit
 - (L) M4 x 8mm (4) - Supplied with the telescopic mount

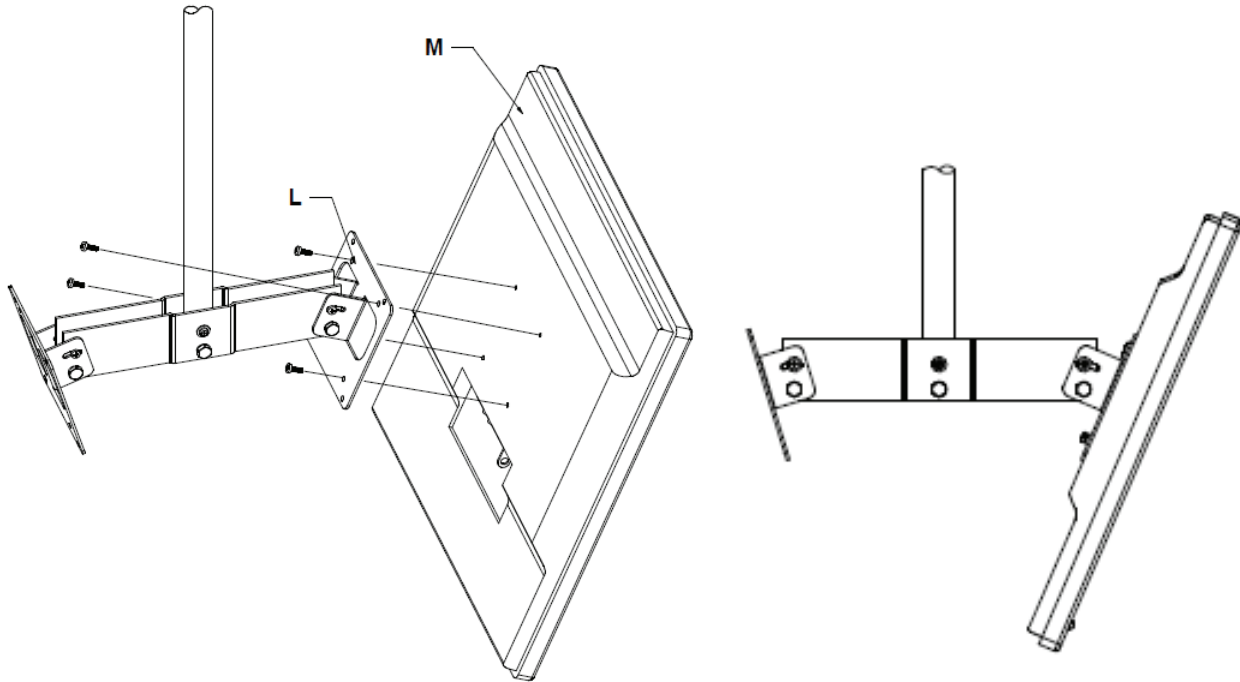


Figure3

clintonelectronics