

## CE-CG2x2CAM

Suspended Ceiling Tile Mount for Telescoping Camera Poles – Tile Only, No Pole



**Maximum Load Capacity: 10 lbs / 4.5 kgs**



### KEY FEATURES:

- Designed to accept all Clinton Telescoping Camera Poles
- Powder-Coated Welded Aluminum 2' x 2' Ceiling Plate
- Installs into Suspended T-Rail Ceilings
- Safety Cables with Adjustable Turnbuckles Included

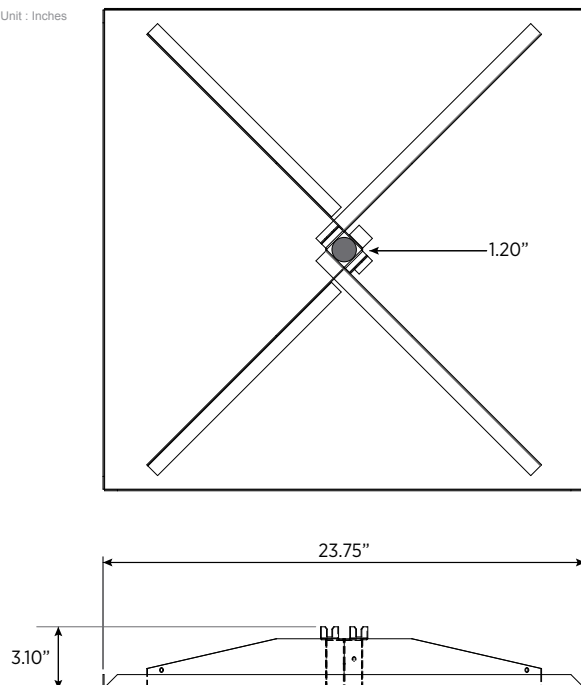
*\*Telescoping Camera Pole Sold Separately*

SPECIFICATIONS	
Dimensions (L x W x H)	23.75" x 23.75" x 3.10" / 60.32cm x 60.32cm x 7.87cm
Weight (Tile Only)	8.3 lbs / 3.76kg

TELESCOPING CAMERA POLE OPTIONS	
CE-CP3W	Adjustable from 1' 3" to 2' 7" - White
CE-CP3B	Adjustable from 1' 3" to 2' 7" - Black
CE-CP6W	Adjustable from 3' to 5' 9" - White
CE-CP6B	Adjustable from 3' to 5' 9" - Black
CE-CP12W	Adjustable from 6' 2" to 11' 9" - White
CE-CP12B	Adjustable from 6' 2" to 11' 9" - Black

### DIMENSIONS:

Unit : Inches



### DIAGRAM:

