

## CE-PTZRM Indoor Recess Mount Kit for CE-PTZ30XHD-IN

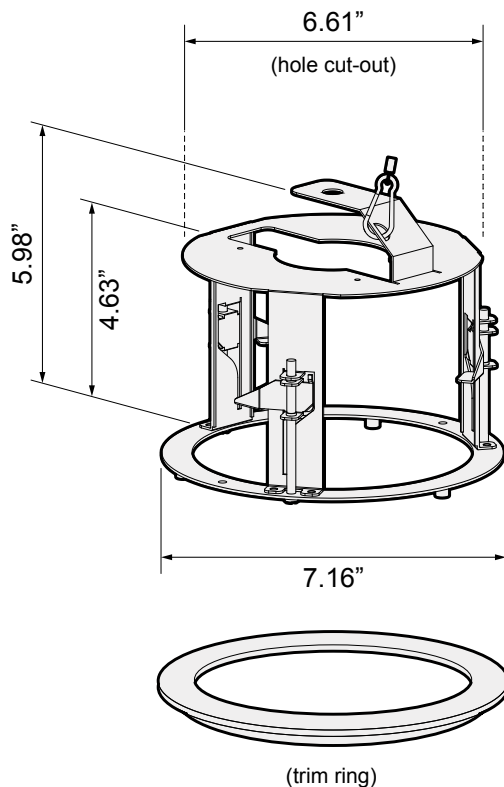


GENERAL	
Dimensions (Including Trim Ring)	7.40" (Dia) x 6.32" (H) 188mm (Dia) x 160.7mm (H)
Weight	1.3 lbs / 0.58 kgs

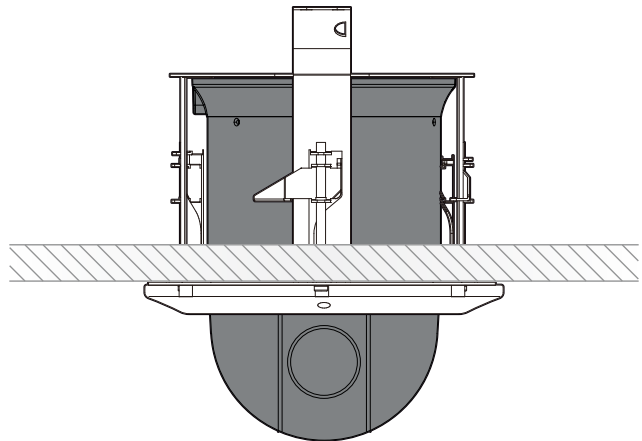
### Key Features:

- Recess Mount a CE-PTZ30XHD-IN into drywall or suspended ceilings
- Screw-Activated Mounting Wings
- Mounts to Material up to 1 $\frac{3}{4}$ " Thick
- Requires 6 $\frac{5}{8}$ " Approx Material Cutout
- 6" Installation Depth Required (Minimum )
- Includes Safety Cable
- Recommended for Indoor Use Only

### DIMENSIONS:



### ASSEMBLY:



\*Shown with CE-PTZ30XHD-IN Installed