

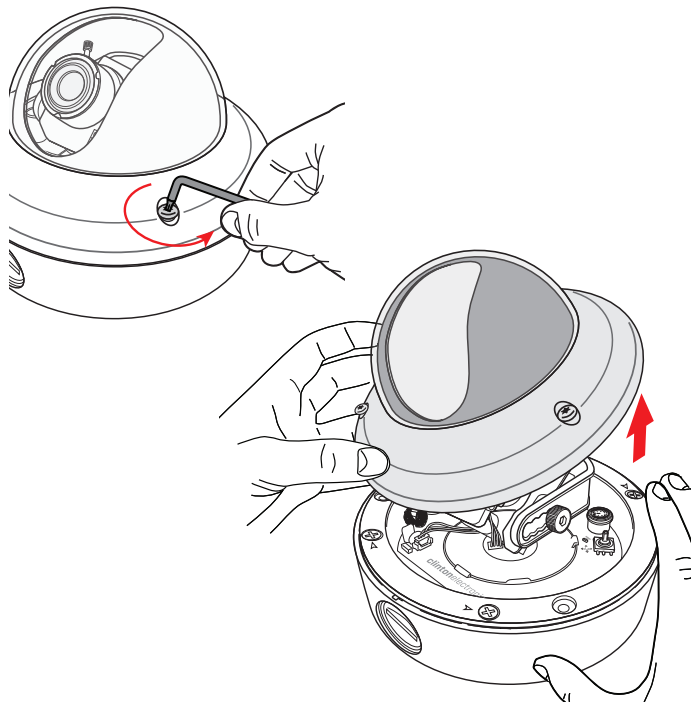
CE-VXPCSS Install Guide

Included Items:
• Stainless Steel Vandal X Pendant Cap x 1

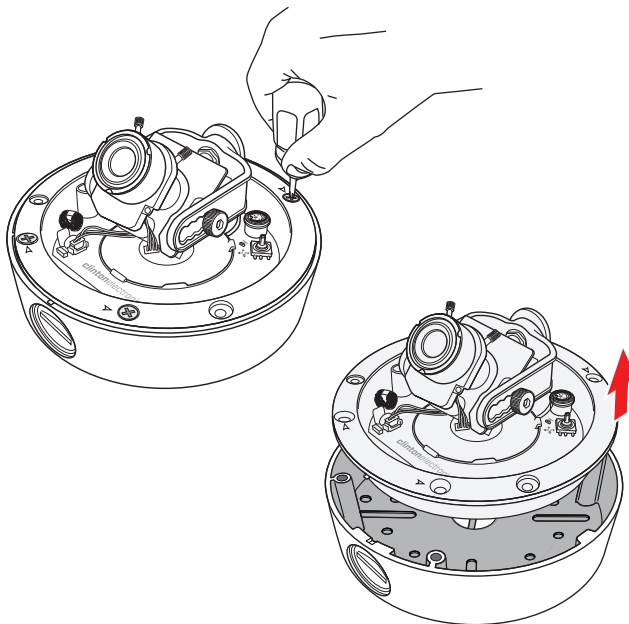
Required Items:
• Vandal X Camera (Non-IR version)
• Torx Wrench (T20 Security) x 1
• Phillips Head Screwdriver
• 1.5" NPT Pipe (w/ Female Coupling) or other Mounting Accessory

1. DISASSEMBLE

a. Use the supplied Torx wrench (that came with the Vandal X camera) to remove the 3 Torx screws that hold the dome assembly onto the base. Remove the top dome cover from the camera base.

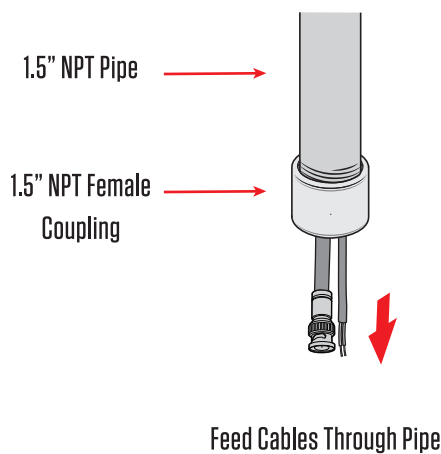


b. Locate and remove the 4 Phillips head screws that hold the inner case onto the camera base. Remove the inner camera case from the camera base as shown below.



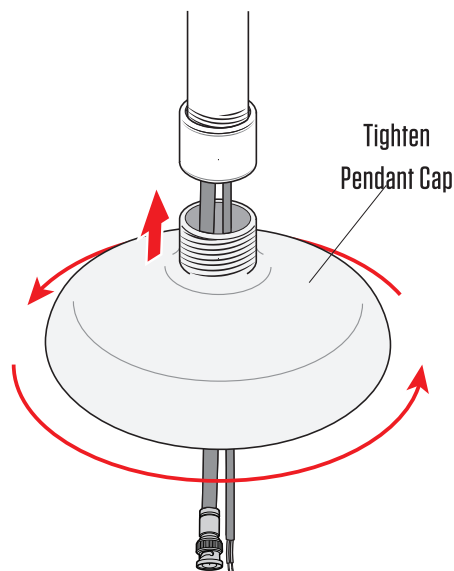
2. ROUTE CABLES THROUGH 1.5" NPT PIPE

Feed power and video cables from power supply and DVR through the desired length of 1.5" NPT pipe (with female coupling) or other 1.5" NPT mounting accessory.



3. ATTACH PENDANT CAP TO PIPE

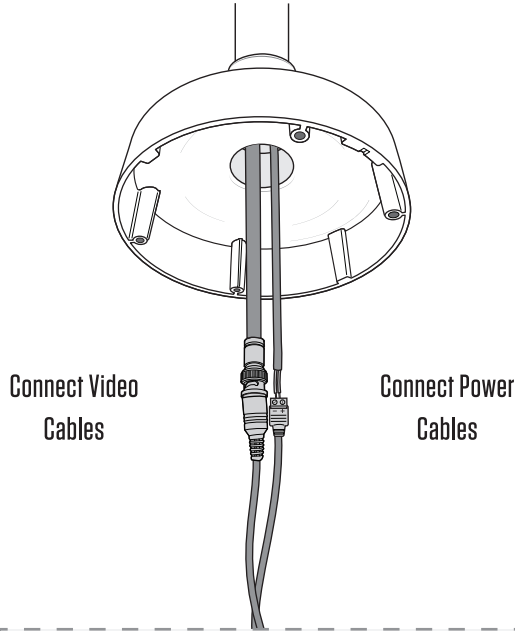
Guide power and video cables through the pendant cap then thread the pendant cap into the 1.5" NPT (female) pipe/coupling or other mounting accessory. Ensure that the pendant cap is securely tightened onto the pipe.



IF THE PENDANT CAP IS NOT FULLY TIGHTENED TO THE PIPE THE CAMERA COULD FALL, RESULTING IN PERSONAL INJURY OR PROPERTY DAMAGE.

4. ATTACH CABLES

Make connections to the BNC cable(s) and the power connection. Feed any cable slack into the 1.5" NPT pipe. To ensure quality operation, verify proper BNC and power termination; along with proper voltage at camera.

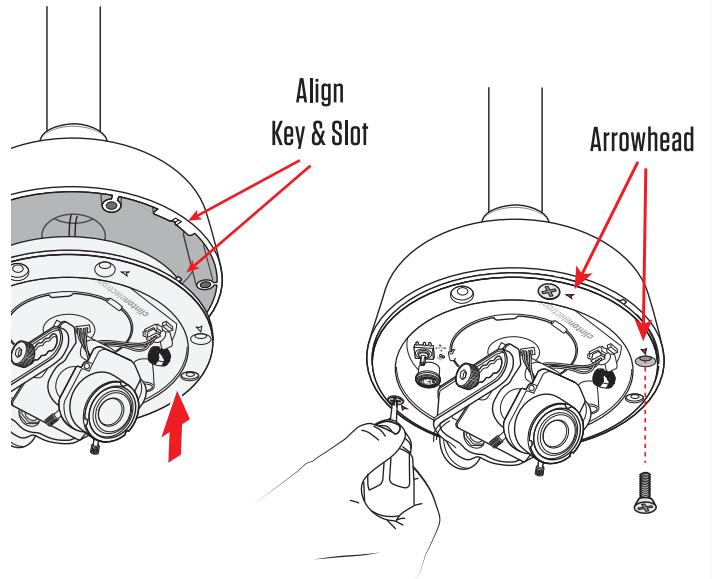


If using EX-SDI camera ensure the correct BNC connection is used.
 Black & Gold Connector: EX-SDI / HD-SDI
 Yellow & Silver Connector: Analog

5. INSTALL CAMERA INTO PENDANT CAP

Align the key on the lip of the inner camera assembly with the slot on the pendant cap when reassembling. If these are not aligned properly the weather resistant seal will be compromised, allowing water to leak into the camera.

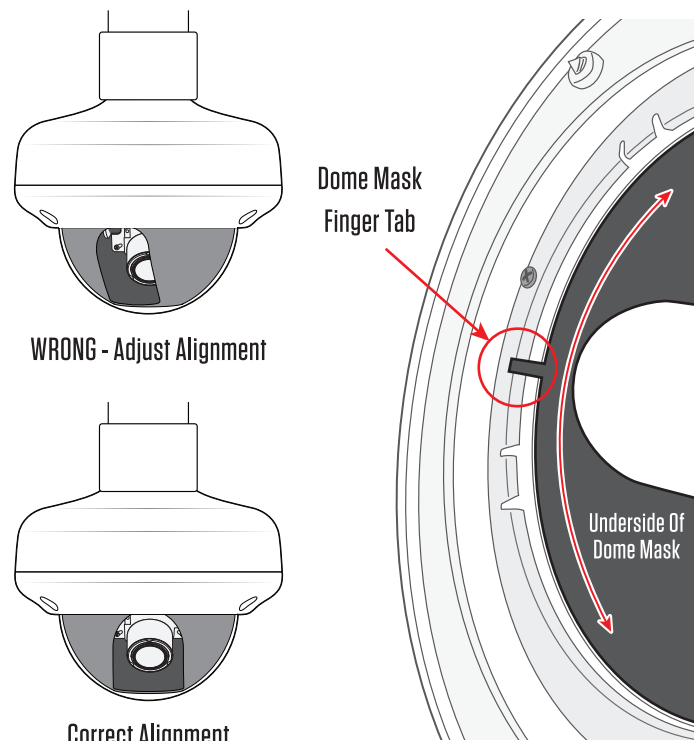
Replace the four Phillips head screws that hold the inner case to the camera base. The four holes are marked with arrowheads.



ATTENTION! IF KEY & SLOT ARE NOT ALIGNED PROPERLY THE WEATHER RESISTANT SEAL WILL BE COMPROMISED, ALLOWING WATER TO LEAK INTO THE CAMERA.

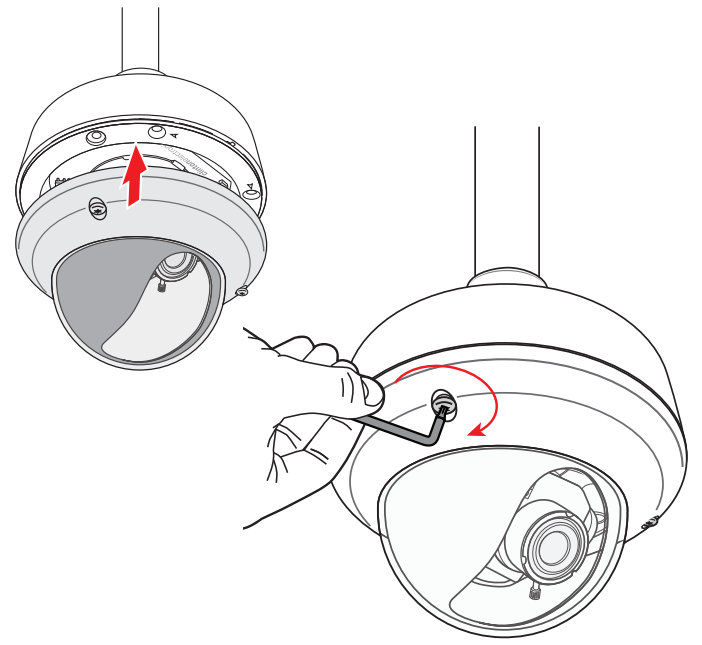
6. ALIGN MASK

Hold the dome cover up to the pendant cap and ensure the lens is not obstructed by the dome mask. If the lens is covered move the mask using the finger tabs located on the underside of the dome mask. Turn the mask in the desired direction then check lens & mask alignment again, readjust as necessary.



7. ATTACH DOME COVER

Carefully install the dome cover onto the inner camera assembly. Then using the supplied Torx wrench from the Vandal X camera tighten the 3 Torx screws that hold the dome cover onto the inner camera assembly. Make sure each screw is tight to ensure superior weather resistance.



ATTENTION! IF TORX SCREWS AREN'T FULLY TIGHTENED THE WEATHER RESISTANT SEAL WILL BE COMPROMISED, ALLOWING WATER TO LEAK INTO THE CAMERA.