

CE-EX-VDA4 User Guide

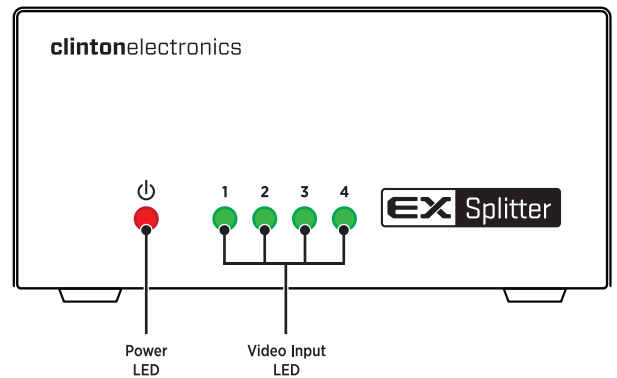
4ch EX-SDI/HD-SDI Splitter

Use with an assortment of EX-SDI 2.0, EX-SDI & HD-SDI cameras to split the original input signal into 2 signals. The output signal type is automatically converted into HD-SDI regardless of the original input signal.

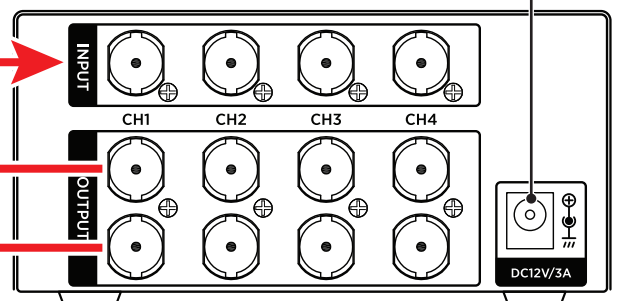
! INDOOR USE ONLY

1. Connect the digital output (EX-SDI 2.0, EX-SDI or HD-SDI) from camera into the desired connection on the CE-EX-VDA4 marked **INPUT**. Repeat this step to fill available inputs.
2. Connect the **OUTPUT** from the CE-EX-VDA4 to an HD-SDI device such as DVR, Multiplexer, Monitor, etc. The output signal of this device is HD-SDI (EX-SDI 2.0 & EX-SDI signals are converted, frame rate and resolution do not change). Repeat as this step to fill available outputs.
3. Connect DC12V power to the device using the supplied power supply.
4. With correct power and video connections the LED indicators will illuminate. If a Video Input does not illuminate check input connection(s) and check if the correct output is used on the camera.

FRONT



BACK



VIDEO INPUT	VIDEO OUTPUT
EX-SDI 2.0 1080p 30fps	HD-SDI 1080p 30fps
EX-SDI 2.0 720p 30fps	HD-SDI 720p 30fps
EX-SDI 2.0 720p 60fps	HD-SDI 720p 60fps
HD-SDI 1080p 30fps	HD-SDI 1080p 30fps
HD-SDI 720p 60fps	HD-SDI 720p 60fps

From Camera:
EX-SDI 2.0 / EX-SDI / HD-SDI

To DVR or other HD-SDI Device:
HD-SDI

*accepts both EX-SDI & EX-SDI 2.0

CONNECTION DIAGRAM

Below is an example of possible installation using this device. The camera inputs can be a mix of EX-SDI 2.0, EX-SDI & HD-SDI signals or can be all of one type of signal. The maximum output HD-SDI signal distance of this device is 275 ft.

