

CE-VXPCSS

Vandal X Stainless Steel Pendant Cap



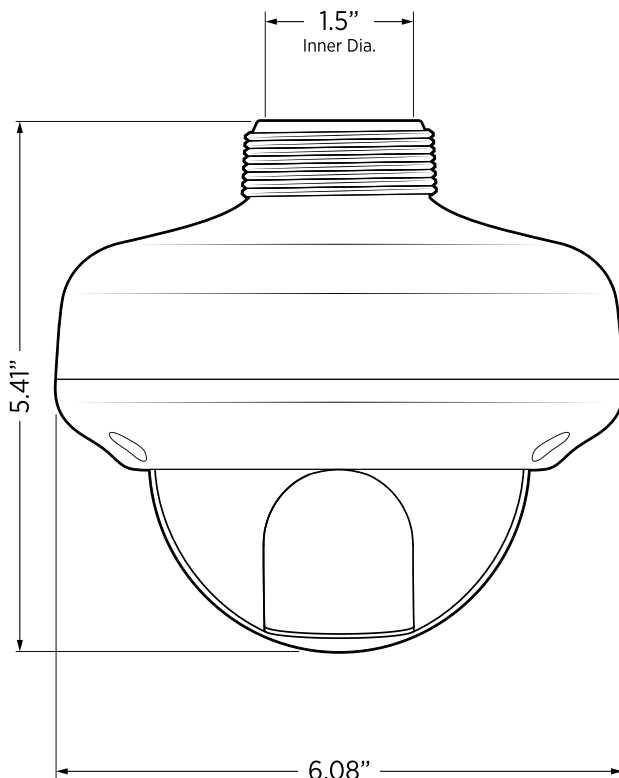
GENERAL	
Housing	316 Stainless Steel
Dome Bubble	Polycarbonate
Mounts to	1½" NPT/NPS
Weather Rating	IP68
Dimensions (Dia. x H)	6.08" x 5.41" / 154.57mm x 137.41
Weight	4.625 lbs / 2.09 kgs

COMPATIBLE VANDAL X CAMERAS	
CE-VX15(B)	Analog, 600 TVL, 2.8-12mm Lens
CE-VX20(B)	Analog, 700 TVL, 2.8-12mm Lens
CE-VX40(B)	Analog, 1,000 TVL, 2.8-12mm TDN Lens
CE-VX45(B)	Analog, 1,000 TVL, 2.8-12mm TDN Lens, Heaters + Fan
CE-VX60(B)	Analog, 1,000 TVL, 6-50mm TDN Lens
CE-VX1HD(B)	2MP EX-SDI, 1080p, 2.8-12mm TDN AF Lens, DOL WDR
CE-VX1HD(B)L	2MP EX-SDI, 1080p, 2.8-8mm TDN AF Lens

Key Features:

- Stainless Steel Pendant Mount Case
- Electropolished 316 Stainless Steel for improved corrosion resistance
- IP68 Weather Rated design
- Mounts to 1½" NPT/NPS
- For use with any Non-IR VX cameras only— **Camera Sold Separately**
- Replaces original Vandal X top & bottom outer case
- Can be used with a CE-CPPA (¾" EMT to 1½" NPT Adapter) to mount to a Telescoping Camera Pole
- Empty Housing - No Camera

DIMENSIONS:



ASSEMBLY

