

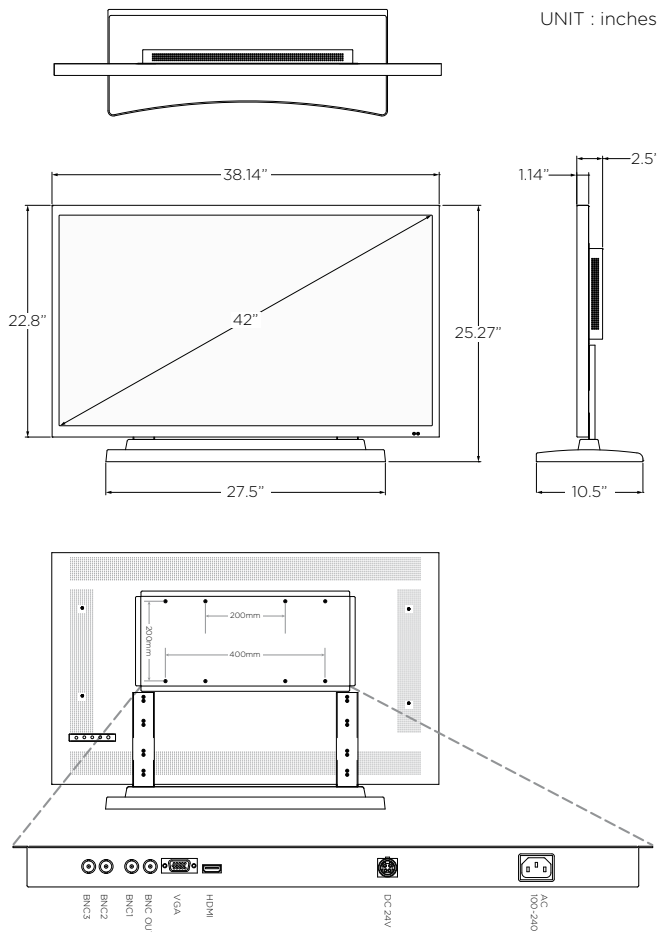
CE-VT420-HD 42" CCTV LCD Monitor



KEY FEATURES:

- 1920 x 1080 Resolution
- 16:9 Aspect Ratio
- 350 nit Brightness
- 3000:1 Contrast Ratio
- 3 BNC Inputs / 1 BNC Output
- 1 VGA Input (VGA cable included - 4' 11")
- 1 HDMI Input (HDMI cable included - 6')
- Steel Bezel
- VESA 200, & 200 x 400 (M4)
- Dual Voltage: 110-240 VAC or DC24V
- Remote Included
- UL Listed

DIMENSIONS:



SPECIFICATIONS:

Display	42" LCD
Resolution	1920 x 1080
Control	OSD (On Screen Display) Control
Aspect Ratio	16:9
Display Colors	16.7M
Brightness	350 nit
Contrast Ratio	3000:1
Viewing Angle (H x V)	178° x 178°
Response Time	6.5ms
In / Out Impedance	75Ω / Auto Terminating Output
Mounting	VESA 200, & 200 x 400 (M4) Stand Mount
Video Inputs / Outputs	1 VGA Input 1 HDMI Input 3 BNC Input / 1 BNC Output
Audio Inputs / Outputs	n/a
Power Consumption	80 Watts
Power Requirement	Dual Voltage: 100 - 240 VAC or 24VDC
Operating Temperature	32°F - 104°F / 0°C - 40°C
Dimensions (W x H x D) *on stand	38.14" x 25.27" x 10.5" 969mm x 642mm x 267mm
Weight	34.9 lbs / 15.83kg

CERTIFICATIONS:

