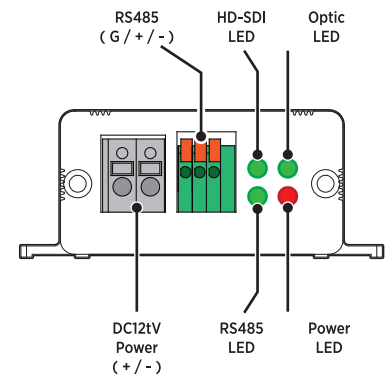
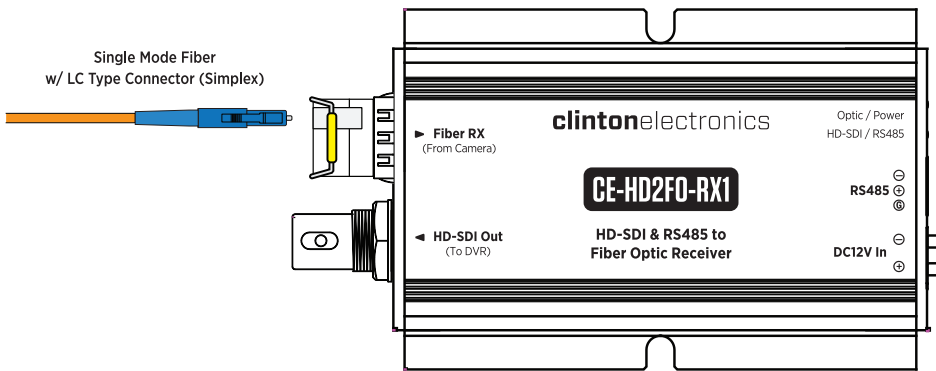


CE-HD2FO-RX1 User Guide

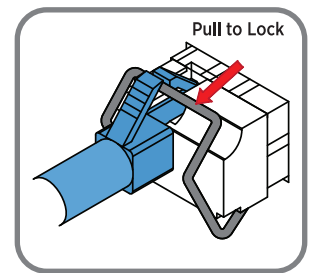
HD-SDI & RS485 to Fiber Receiver

Use with an HD-SDI camera to transmit an HD-SDI signal (and RS485 data) up to 12 miles. Use in conjunction with the CE-HD2FO-TX1 Transmitter (sold separately).



RECEIVER - (from the DVR side):

- Connect HD-SDI input from DVR into the connection marked **HD-SDI Out**.
 - limit HD-SDI run from receiver to DVR to no more that 275 ft (using RG59 coaxial cable)
 - excessively long runs of cable can cause video loss when using HD-SDI
- Connect RS485 wires (optional).
 - observe correct polarity, if backwards PTZ control will not be possible
- Connect Single Mode Fiber Optic cable with LC Type Connector (Simplex) into connection marked **Fiber RX**.
 - when making fiber connection insert connector fully until a 'CLICK' sound is made
 - after fully inserted pull the level to lock the fiber optical cable into the transmitter.
- Make power connections using DC12V power, ensure correct polarity is used.

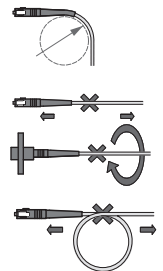


**Power Supply Sold Separately*

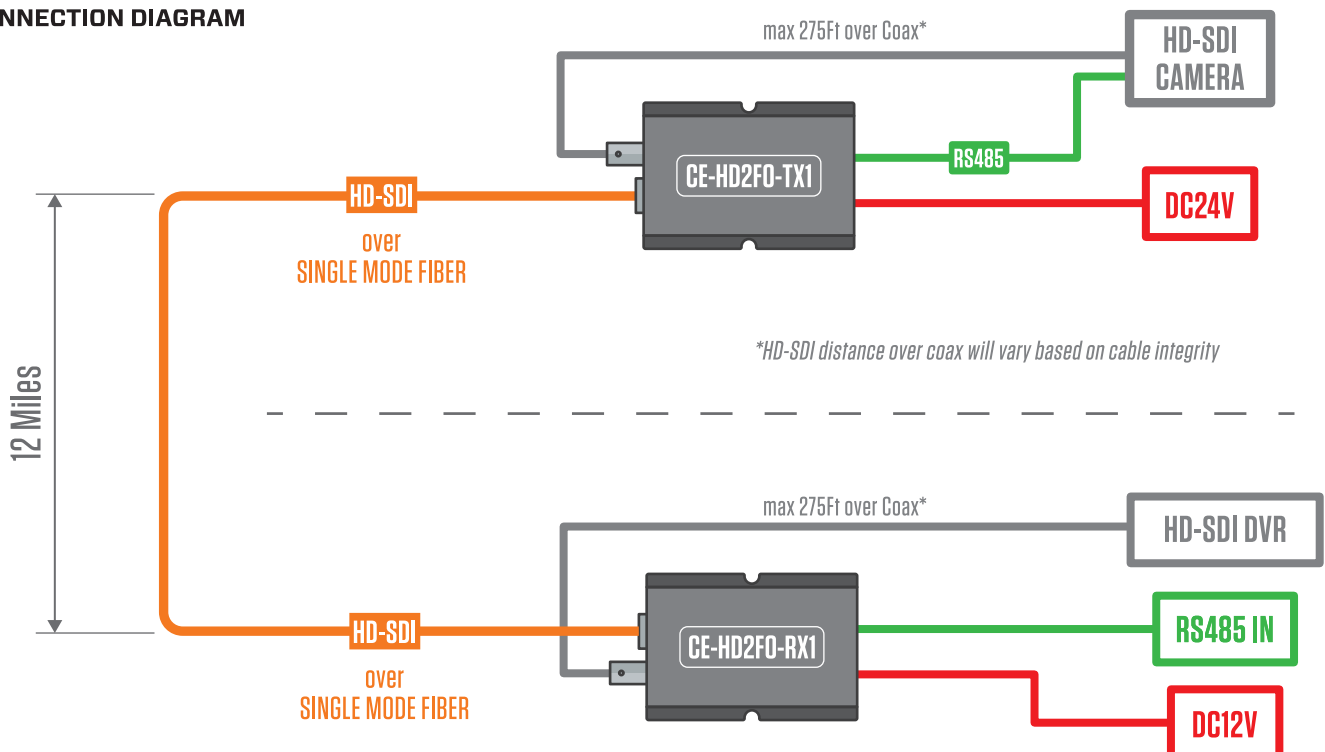
- Check the status of the LED indicators to confirm the correct connections:
 - Optic: Green LED will be lit if good connection between TRANSMITTER & RECEIVER
 - Power: Red LED will be lit if power is on & correct polarity
 - HD-SDI: Green LED will be lit with good HD-SDI video signal
 - RS485: Green LED will blink when data is being transmitted/received
- Make connections to Transmitter (CE-HD2FO-TX1), sold separately.

Fiber-Optic Cable Best Practices:

- At connection avoid tight bends.
- Don't pull cable from both ends.
- Don't spin the optical cable while connected to a device.
- Don't knot/kink the optical cable.



CONNECTION DIAGRAM



**HD-SDI distance over coax will vary based on cable integrity*