

CE-HD2FO-RX1 Fiber Optic to HD-SDI & RS485 Receiver



INFO:

- Fiber Optic to HD-SDI EX-SDI (1.0) & RS485 1ch Receiver
- Video/Data (RS485) transmission up to 12 miles (20km) through single mode fiber-optic cable
- LC type 1ch fiber-optic Input, BNC 1ch Output
- HD-SDI (SMPTE-292M/1.5Gbps) video format support
- 1080p @ 30fps, 720p @ 30/60fps Resolution Support
- LED indicators for Power, Video, Data and Fiber-optic Status
- Use in conjunction with the CE-HD2FO-TX1: Fiber Optic to HD-SDI 1ch Transmitter
- DC12V

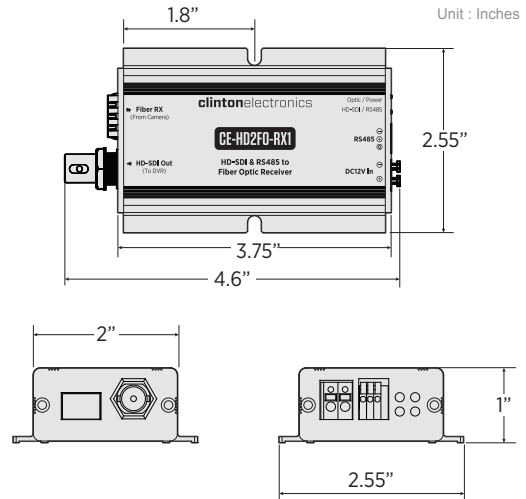
Requires CE-HD2FO-TX1

**Sold Separately*

SPECIFICATIONS:

HD-SDI PORTS	
Video Standard	SMPTE292M
Resolution	Full HD 1080p @ 30fps HD 720p @ 30/60 fps
Output	1 Channel (BNC Connector)
FIBER OPTIC PORTS	
Fiber Type	Single-Mode
Connector	LC Type
Input	1 Channel (LC Type Connector)
RS-485 PORTS	
Baudrate	Max 115,200bps
Ports	1 (RX + / -)
GENERAL	
Power Source	DC12V
Power Consumption	Max 2W
Operating Temperature	14°F - 122°F / -10°C - 50°C
Operating Humidity	20-90% RH
Weather Rating	Indoor Use Only
Dimensions (W x D x H)	4.6" x 2.55" x 1" / 117mm x 65mm x 26mm
Weight	0.33 lbs / 150 g

DIMENSIONS:



CONNECTION DIAGRAM:

