

## CE-UCB-POLE(B) Universal Pole Mount Adapter



CE-UCB-POLE  
(White)  
<<<



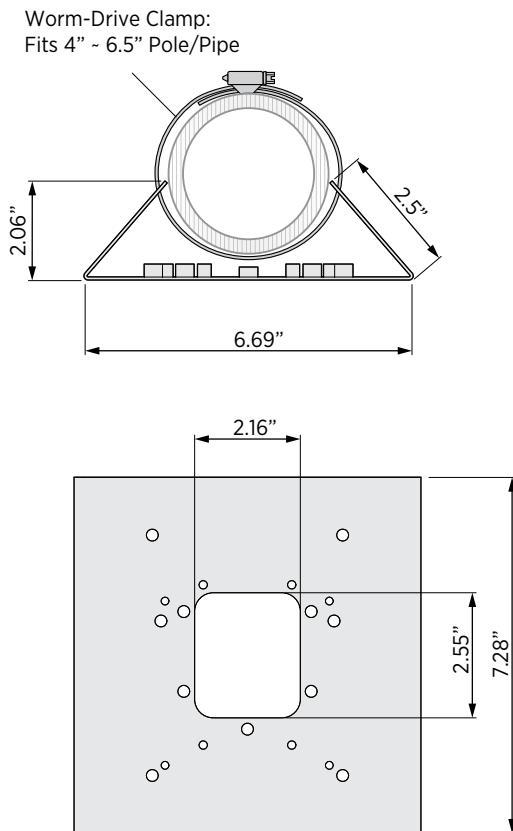
CE-UCB-POLEB  
(Black)

### INFO:

- Use in conjunction with a wall bracket and/or camera to mount to a pole/pipe
- Powder coated Steel
- Stainless Steel fasteners & worm-drive clamps included

### DIMENSIONS:

Unit: INCHES



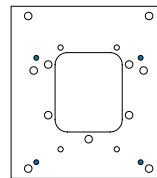
### SPECIFICATIONS:

Materials	Steel - Powder Coated
Dimensions	6.69" (W) x 7.28" (H) x 2.06" (D) 170mm (W) x 185mm (H) x 52mm
Weight	1.71 lbs / 0.77 kgs

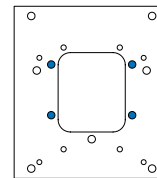
### MOUNTS TO:



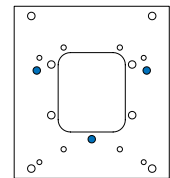
CE-VXWB



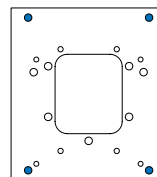
CE-H13



CE-PTZ10XHD



R Series PTZs



Double Gang

