

CE-UCB-POLE Install Guide

Universal Pole/Pipe Mount Bracket for Clinton Outdoor Cameras & Housings

Included Items:

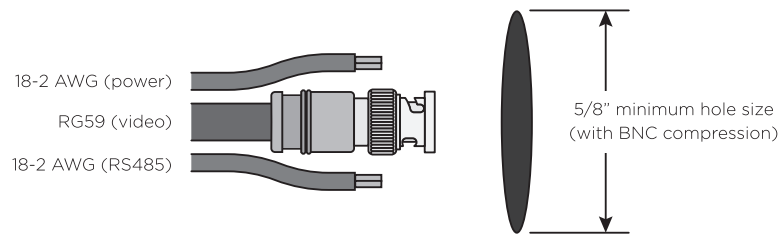
- 1/4-20 Phillips Head Screw (qty4)
- #6-32 Phillips Head Screw (qty4)
- #8-32 Phillips Head Screw (qty4)
- Worm-Drive Clamps (2)

Required Items:

- Phillips Head Screwdriver
- Flat Head Screwdriver or 5/16" (8mm) Socket

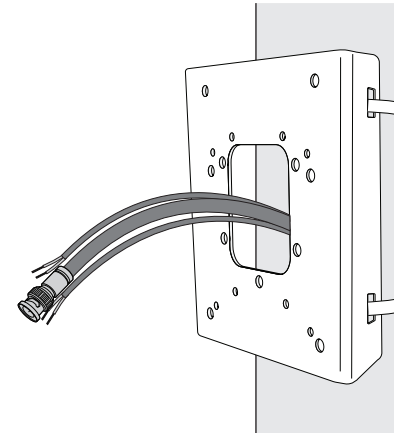
1. CUT CABLE ACCESS HOLE IN POLE

Depending on the desired mounting location of the Pole Mount & if the cables will be routed into the pole, rather than routed externally— a hole may need to be cut into the mounting surface for the cables to pass through.



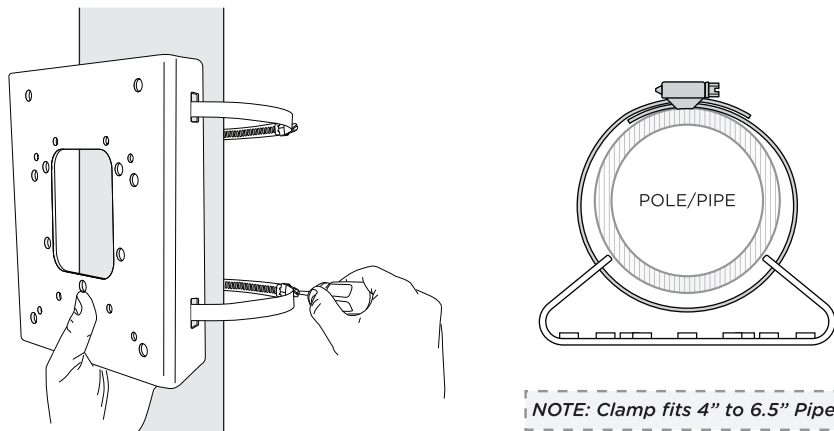
3. PULL CABLES

Route the cables through the center hole in the universal mounting bracket.



2. INSTALL CORNER MOUNT TO STRUCTURE

Place the Pole Mount on the pole/pipe, then feed the supplied worm-drive clamps through the bracket and around the pole. Tighten the worm-drive clamps with either a flat head screwdriver or 5/16" (8mm) socket to secure the Pole Mount to the pole.



4. ATTACH CAMERA BRACKET

Attach the camera bracket to the universal mounting bracket using the appropriate hole pattern. Accepts CE-VXWB (Vandal X Wall Bracket), CE-H13 (Outdoor Box Camera Housing) & Wall Brackets from CE-PTZ10XHD, CE-PTZ20XHDR, CE-PTZ30XHDR(S).

Refer to instructions provided with camera bracket to complete installation.

