

CE-UCB-CRNR Install Guide

Universal Corner Mount Bracket for Clinton Outdoor Cameras & Housings

Included Items:

- 1/4-20 Phillips Head Screw (qty4)
- #6-32 Phillips Head Screw (qty4)
- #8-32 Phillips Head Screw (qty4)
- 1/4" Diameter 5/16" Hex Head Lag Screw (qty8)

Required Items:

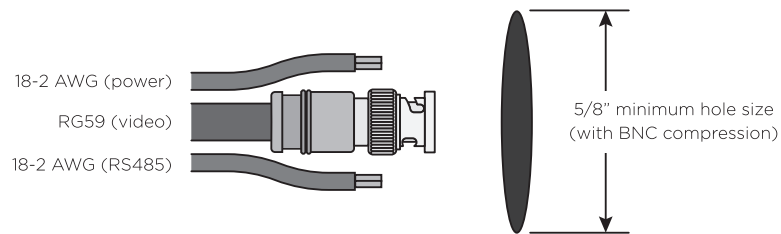
- Phillips Head Screwdriver
- 5/16" (8mm) Wrench

Optional Items:

- Masonry Drill Bit & Wall Anchor Expansion Screws

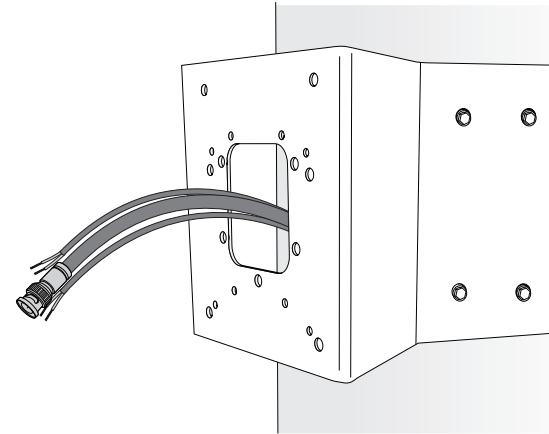
1. CUT CABLE ACCESS HOLE IN MOUNTING SURFACE

Depending on the desired mounting location of the Corner Mount & if the cables will be routed into the structure, rather than routed externally— a hole may need to be cut into the mounting surface for the cables to pass through.



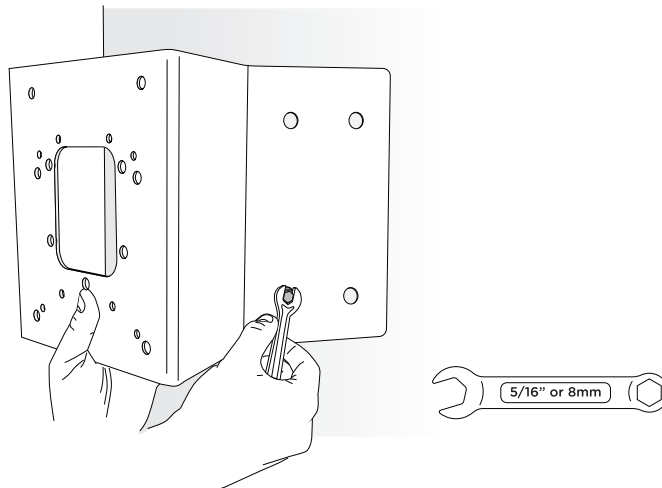
3. PULL CABLES

Route the cables through the center hole in the universal mounting bracket.



2. INSTALL CORNER MOUNT TO STRUCTURE

Secure the Corner Mount to the desired mounting surface using appropriate mounting hardware. If installing into solid surface, such as wood, use the supplied (8) Lag Screws. If installing into concrete/brick use masonry wall anchor expansion screws (not included).



NOTE: It is not recommend to install onto drywall.

4. ATTACH CAMERA BRACKET

Attach the camera bracket to the universal mounting bracket using the appropriate hole pattern. Accepts CE-VXWB (Vandal X Wall Bracket), CE-H13 (Outdoor Box Camera Housing) & Wall Brackets from CE-PTZ10XHDX, CE-PTZ20XHDX, CE-PTZ30XHDX(S).

Refer to instructions provided with camera bracket to complete installation.

