

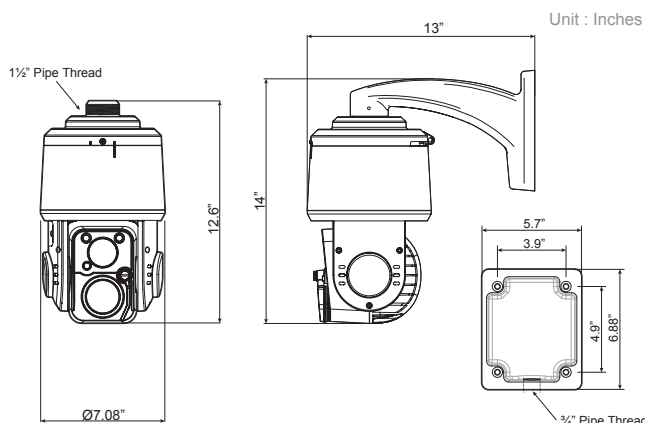
CE-PTZ20XHDR HD-SDI TDN 20x PTZ w/ Motorized Zoom IR



INFO:

- 1/3" 2MP Panasonic CMOS sensor
- 1080p @ 60/30fps, 720p @ 60fps
- HD-SDI (1080p) and/or analog (700 TVL) video output
- 4.7-94mm (f1.6-f3.5) True D/N Lens
- 20x Optical Zoom & 32x Digital Zoom
- Temperature controlled w/ fan & heater
- 255 Presets, 8 Tours, 8 Scans, 4 Patterns, 16 Areas, 4 Alarms
- 360° Pan Rotation/ -8° to 188° Tilt
- Motorized IR Zoom lens for IR intensity and distance adjustment & 2 fixed IR LEDs for improved wide angle view at night
- IR Distance 450' (± 10% approx)
- Optically perfect flat viewing window prevents blooming & smear
- IP67 external polycarbonate housing
- Safety cable prevents PTZ from falling during installation/maintenance
- Built-in Wiper System keeps lens clear of moisture and dust
- Wall Bracket included
- RS-422/485 communication
- 4 Alarm Inputs / 2 Alarm Outputs
- DC24V/AC24V (Power Supply sold separately)
- 1.5" NPT threaded (male) end
- Multiple Protocols supported

DIMENSIONS:



SPECIFICATIONS:

CAMERA	
Image Sensor	1/3" Panasonic CMOS
Resolution	Full HD 1080p @ 30fps
Effective (Active) Pixels	1944(H) x 1092 (V) = 2.12M Pixels
Scanning System	Progressive
Resolution	HD-SDI: 1080p @ 60/30fps, CVBS: 700 TVL
Minimum Illumination	Day: 0.5 Lux (1/30 sec) Night: 0.1 Lux (1/30 sec)
S/N Ratio	More than 50dB (AGC Off)
Shutter Speed	1/30(25) - 1/30,000 sec
Video Output	HD-SDI, CVBS
LENS	
Lens Type	x20 True Day/Night Zoom Lens, Auto Focus
Zoom Ratio	Optical x20, Digital x32 Zoom
Focal Length	4.7-94mm (f1.6 to f3.5)
Angle of View (Horizontal)	55.4° (Wide) 2.9° (Tele)
PAN / TILT	
Pan Rotation Range	360° Continuous, 0.1° to 120°/sec (proportional to zoom)
Pan Speed	250°/sec, ± 0.1° Accuracy
Tilt Range	-8°(352°) to 188° movement, 0.8°-80°/sec (proportional to zoom)
Tilt Speed	250°/sec, ± 0.05° Accuracy
FUNCTIONS	
Presets	255 Presets
Tours	8 Programmable Preset Tour Sequences
Scans	8 Programmable Scan Sequences
Patterns	4 Self-Learning Pattern Sequences for 60 sec.
Area	16 Area
Group	6 Groups (Max 6 Tours Programmable in Group)
Alarm	4 Programmable Alarms (2 Outputs)
ID Address	Up to 255 selectable (w/ rotary switches)
Data Communication	RS-485 / RS-422
Protocols	Multiple Protocols (Clinton, Pelco D/P, WTX, EZP)
Baudrate	2400, 4800, 9600, 19200, 38400, 57600, 115200 bps
OSD SETTINGS	
Camera Title	ID / Title / Zoom Ratio / System Message
Day & Night	Auto / Day / Night / Ext-in
WDR / BLC	Off / WDR / BLC / HLC
ACE	Off / Low / Middle / High
DNR	Auto / Off / Low / Middle / High
Defog	Off / On(Auto / Manual)
Digital Image Stabilizer	Off / On
Privacy Mask	Off / On (24 positions)
Digital Slow Shutter	Off /x2 /x4 (/ x8 : 60 or 50fps mode only)
Gain Control	Off / On
White Balance	Auto / One Push / Manual / Indoor / Outdoor
E. Zoom	Off / x2 - x32
Digital Flip	Off / H / V / H&V
GENERAL	
Power Source	DC24V/AC24V (Power Supply Sold Separately)
Power Consumption	DC24V: Operation 500mA / Max 1.1A ±10% AC24V: Operation 400mA / Max 1A ±10%
Operating Temperature	-40°F - 140°F / -40°C - 60°C
Operating Humidity	0-90% RH
Weather Rating	IP67
Material	Aluminum inner / Polycarbonate outer
Dimensions (PTZ assembly only, no bracket)	7.08" (Dia.) x 12.6" (H) / 180mm (Dia.) x 322mm (H)
Weight (PTZ assembly only, no bracket)	9.9 lbs / 4.5 kg