

# RMC Series Install Guide

CE-RMC20  
CE-RMC40  
CE-RMCK

## Included Items:

- Magnetic Indoor Dome Cover x 1
- Recess Mount x 1
- Safety Leash x 1
- 4x12mm Screws x 4
- 4x8mm Screws x 2

## RMC20/40 Required Items:

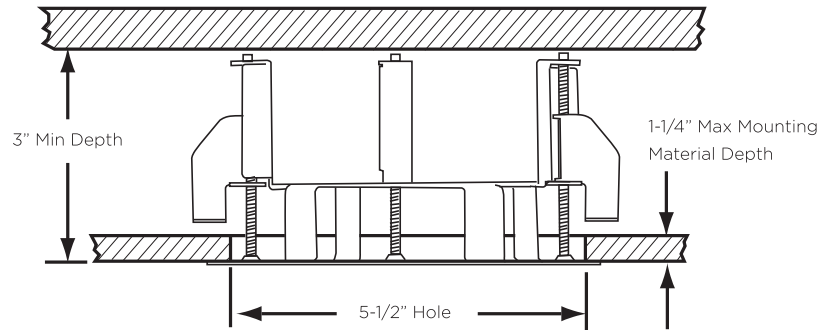
- Phillips Head Screwdriver
- Drill w 5-1/2" Hole Saw

## RMCK Required Items:

- Vandal X Series Dome Camera
- Phillips Head Screwdriver
- Drill w 5-1/2" Hole Saw

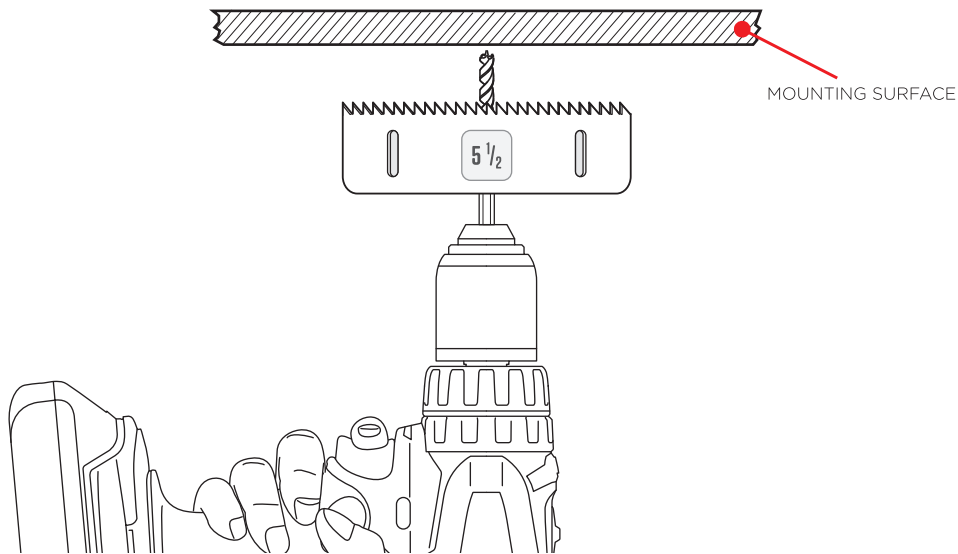
## PREPARING MOUNTING SURFACE

The Indoor Recess Mount Camera requires a minimum 3" depth and can be installed into mounting surfaces up to 1-1/4" thick. Verify that the intended mounting surface meets these requirements before proceeding with the installation.



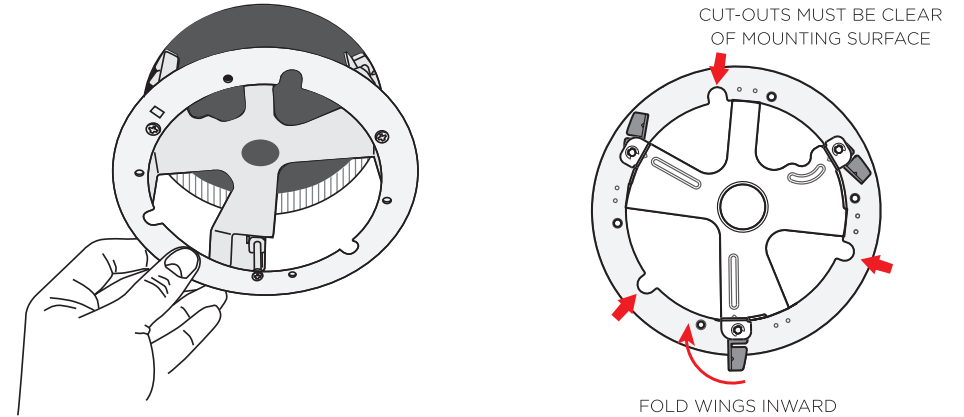
## 1. CUT 5-1/2" HOLE

Cut a hole into the mounting surface with a 5-1/2" hole saw.



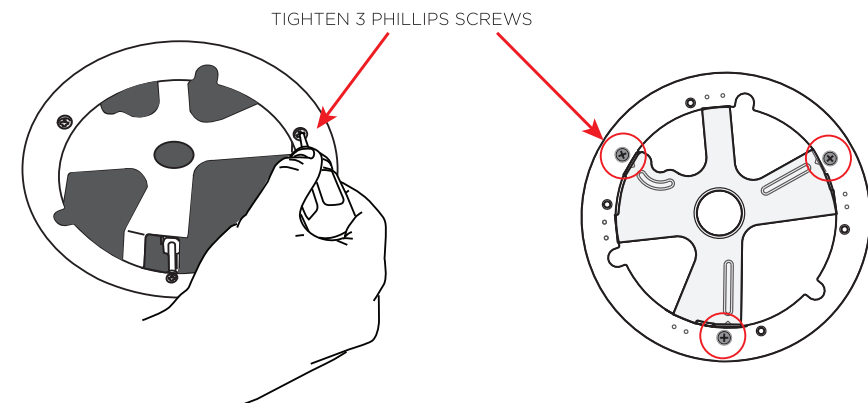
## 2. INSTALLING RECESS MOUNT

a. Fold the 3 wings inward, then insert the recess mount into the 5-1/2" hole.



**NOTE:** When mounting make sure the mounting surface does not block the 3 perimeter cut-outs shown above. These cut-outs must be clear in order to accept the Vandal X case in the next steps.

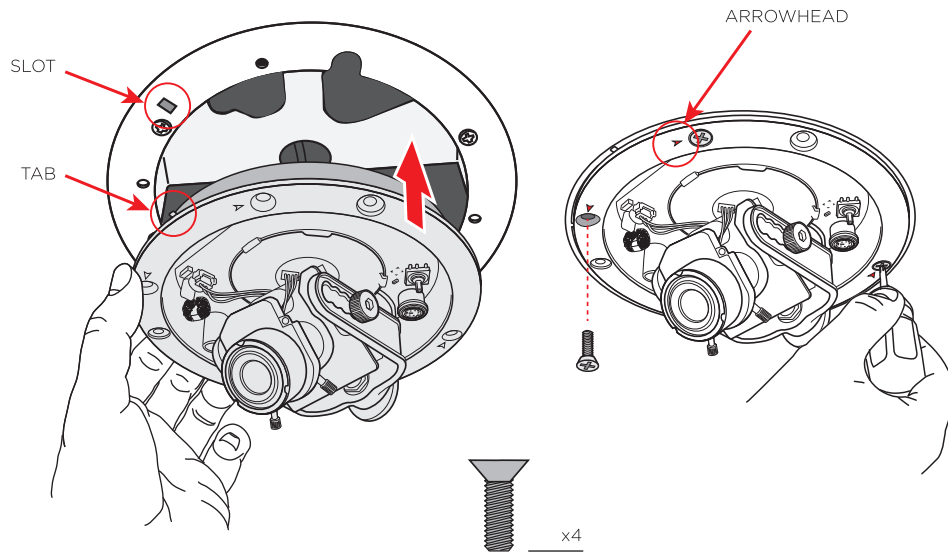
b. With a Phillips head screwdriver, rotate the three screws clockwise to flip the tension wings out until they firmly grip the mounting material.



**NOTE:** If installing into drywall or ceiling tile; over-tightening the wings can damage the mounting surface, possibly leading to the camera falling, causing damage or injury.

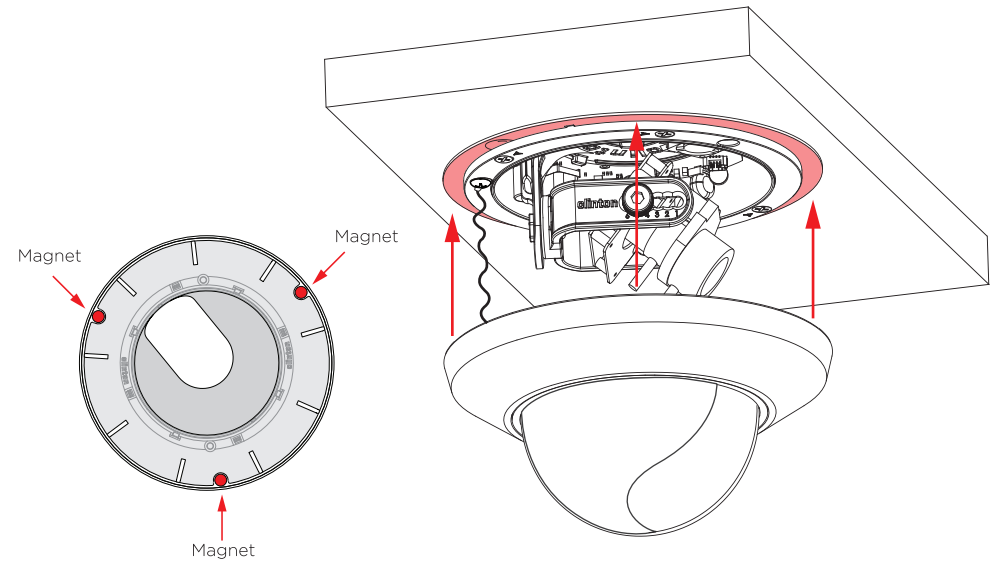
### 3. MOUNTING THE CAMERA

Feed the power and video cables through the center hole. Align the tab on the camera with the slot in the recess mount when reassembling. Attach the camera assembly to the recess mount. The 4 holes are marked with arrowheads.



### 5. ATTACH COVER

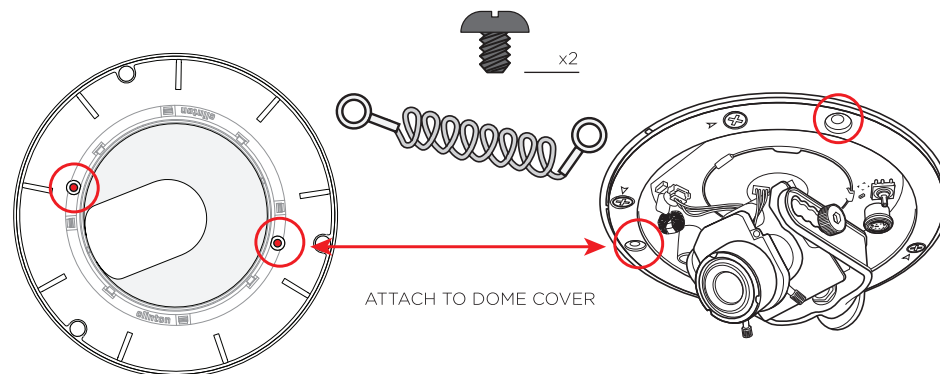
Align the 3 magnets located on the bottom rim of the dome cover with the outer rim of the recess mount and attach. **NOTE: The dome cover will only attach to cameras using the metal recess mount.**



### 4. ATTACH SAFETY LEASH

The high-strength magnets on the dome cover will securely hold to the metal rim of the recess mount. To prevent the magnetic dome cover from accidentally falling, (being bumped, excessive vibrations, etc...) it is recommended to use the supplied safety leash.

Choose 1 of the 2 holes on the dome cover and attach one end of the safety leash. Choose 1 of the 3 available holes on the camera assembly and attach the other end of the safety leash with supplied Phillips head screw.



### 6. ADJUST COVER

Once the dome cover is attached make sure the mask is properly aligned with the camera lens by rotating the cover until the lens has an unobstructed view.

