

CE-IDXDPC(B) IDX Series Camera Deep Pendant Cap



INFO:

- Compatible with all Clinton IDX Indoor Dome Cameras
- Mounts to CE-CP3W (3' Camera Pole), CE-CP6W (6' Camera Pole), CE-CP12W (12' Camera Pole), or 3/4" Conduit
- Includes 3/4" Conduit Screw Type Connector
- Adds additional space to conceal extra cable, video baluns & connections

CE-IDXDPC for White IDX Series Cameras

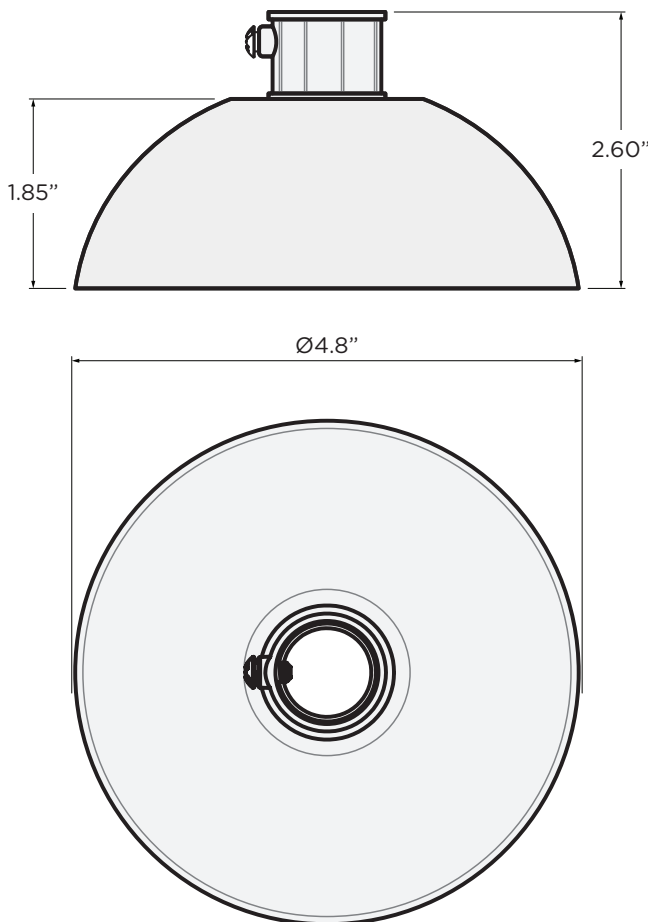
CE-IDXDPCB for Black IDX Series Cameras

SPECIFICATIONS:

Materials	Plastic
Dimensions w/ Conduit Connector	4.80" (D) x 2.6" (H) 121.92mm (D) x 66.04mm (H)
Weight w/ Conduit Connector	0.20 lb / 0.09 kg

*Camera & Pole Shown Not Included

DIMENSIONS:



ASSEMBLY:

