

clintonelectronics



CE-IPMD1
IP Mini Indoor Dome
Quick Installation Guide

Clinton Electronics Corp. 6701 Clinton Road. Loves Park, IL 61111

Sales: 1-800-447-3306 Support: 1-800-549-6393 www.clintonelectronics.com

Please follow the installation steps below to set up CE-IPMD1 IP Mini Indoor Dome Camera.

Check the package contents against the list below. *See P.1*

Physical overview. *See P.2*

I/O Terminal Block Circuit. *See P.3*

I/O Terminal Block Pin Definition. *See P.3*

LED Indicator Definition. *See P.4*

Power mode. *See P.4*

Install the hardware and connect all cables. *See P.4*

Microsoft OS: Use the software CD to install Intelligent IP Installer. *See P.7*

Access the IP Camera using Intelligent IP Installer. *See P.7*

Mac OS using Safari Browser. *See P.10*

For more information, please check the User Manual available in the Software CD or you can download the latest software from <http://clintonelectronics.com>

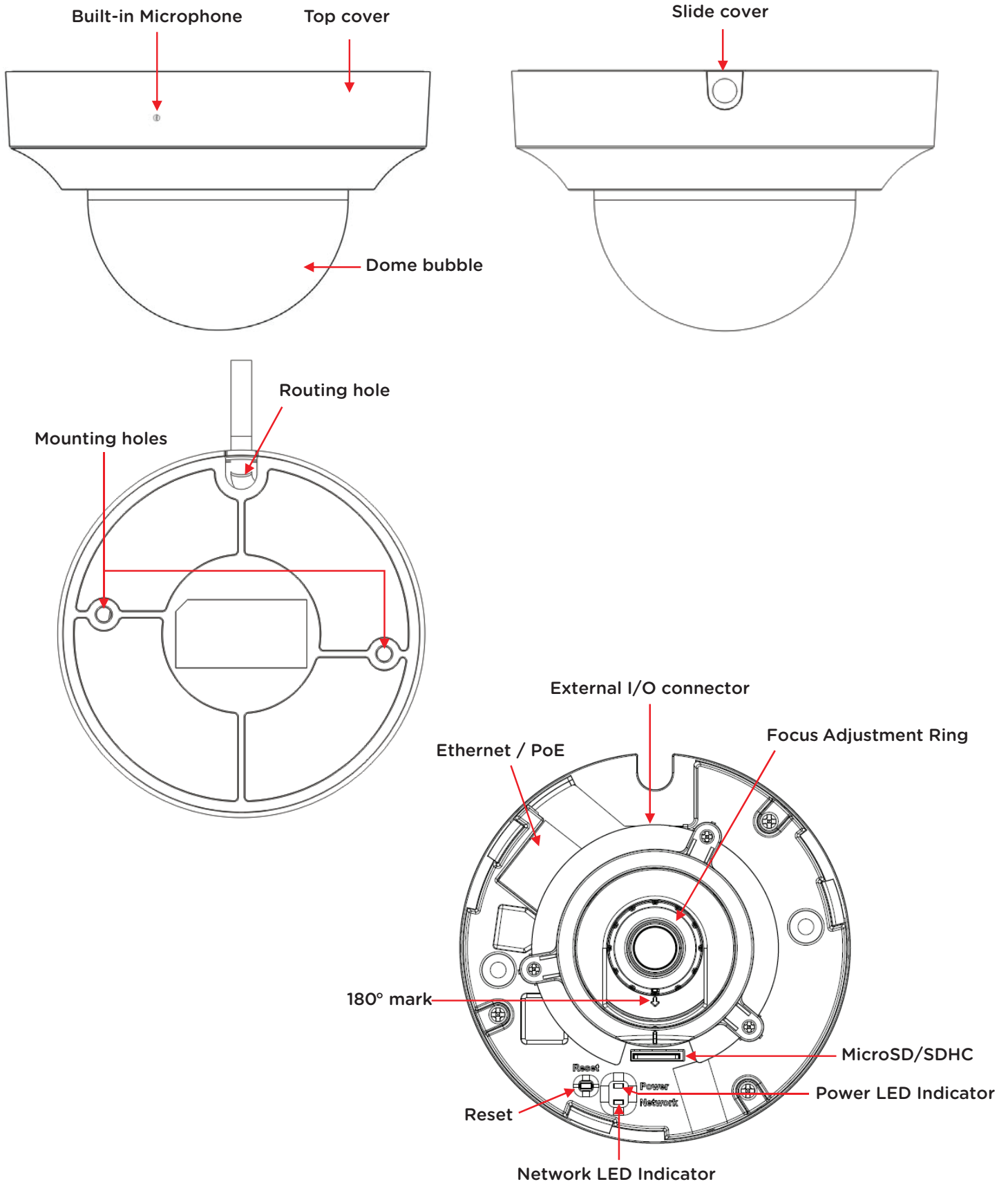
Note:

CAT5 cables are supplied by user. RJ45 Ethernet network connection (using CAT5 standard UTP or better quality cable) for Power over Ethernet (PoE 802.3af)

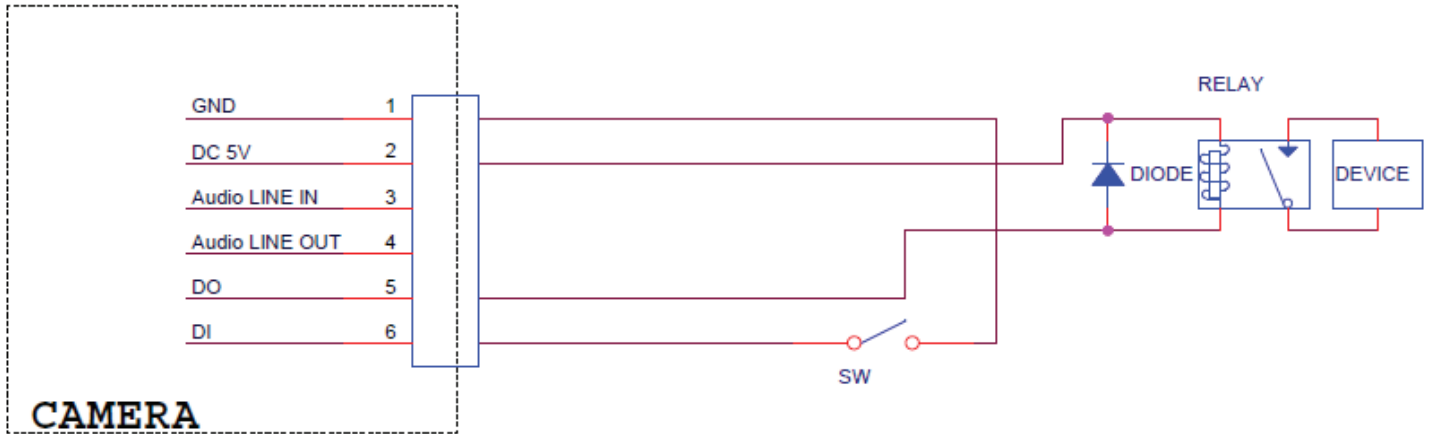
PACKAGE CONTENTS

| | |
|---------------------------------|---|
| Camera | <ul style="list-style-type: none">• CE-IPMD1 IP Mini Indoor Dome Camera |
| Quick Installation Guide | <ul style="list-style-type: none">• Brief product information and quick installation |
| Software CD | <ul style="list-style-type: none">• IP Surveillance Software• Intelligent IP Installer• User Manuals• Language Packs |
| Accessory | <ul style="list-style-type: none">• 6 pin terminal cable for DI/DO and audio• Screw pack for wall & ceiling mounting (2 screws, 2 plastic wall anchors)• Focus Adjustment• Mounting Template |

PHYSICAL OVERVIEW



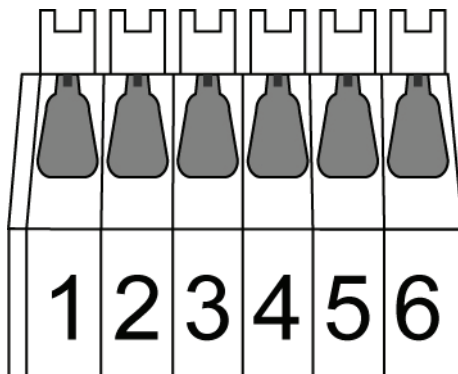
I/O TERMINAL BLOCK



This Camera provides a external I/O terminal block which is used to connect input/ output devices.

The pin definitions are described below.

| PIN | Definition | Description | Max. V/A |
|-----|------------------|--|---------------|
| 1 | Ground | Power (-) | - |
| 2 | +5V DC | • Power (+) | 5V DC .5W |
| 3 | Audio In (+) | Unbalanced, 1.4Vp-p, 1Vrms, terminal block | - |
| 4 | Audio In (+) | Unbalanced, 1.4Vp-p, 1Vrms, terminal block | - |
| 5 | Digital Output 1 | Uses an NPN transistor with the emitter connected to the GND pin. If used with an external relay, a diode must be connected in parallel with the load for protection against voltage transients. | 100 mA 24V |
| 6 | Digital Output 1 | Connected to GND to activate, or leave floating (or unconnected) to deactivate. | 30V DC |



LED INDICATOR DEFINITION

| LED | Color | Indication |
|---------|--------|---|
| Network | Blue | Flashes blue when there is activity |
| Power | Red | Steady red for booting up process; Steady red for 30 Seconds when WPS configure has failed |
| | Blue | Steady blue for booting up completion |
| | Purple | Flashes purple during firmware upgrade; when reset button is pressed for at least 5 sec. to factory default |
| | Off | When you press reset button; or Power off |

RESET: When the camera is powered, press the 'RESET' button to reboot the camera, or hold the 'RESET' button for 10 seconds to restore the factory default camera settings.

RESET PROCESS: Press the 'RESET' button until indicator light goes OFF -> steady RED (booting up process) -> steady BLUE (booting up complete).

RESET TO DEFAULT PROCESS: Press until indicator steady BLUE -> steady RED (booting up process) -> steady BLUE (booting up complete).

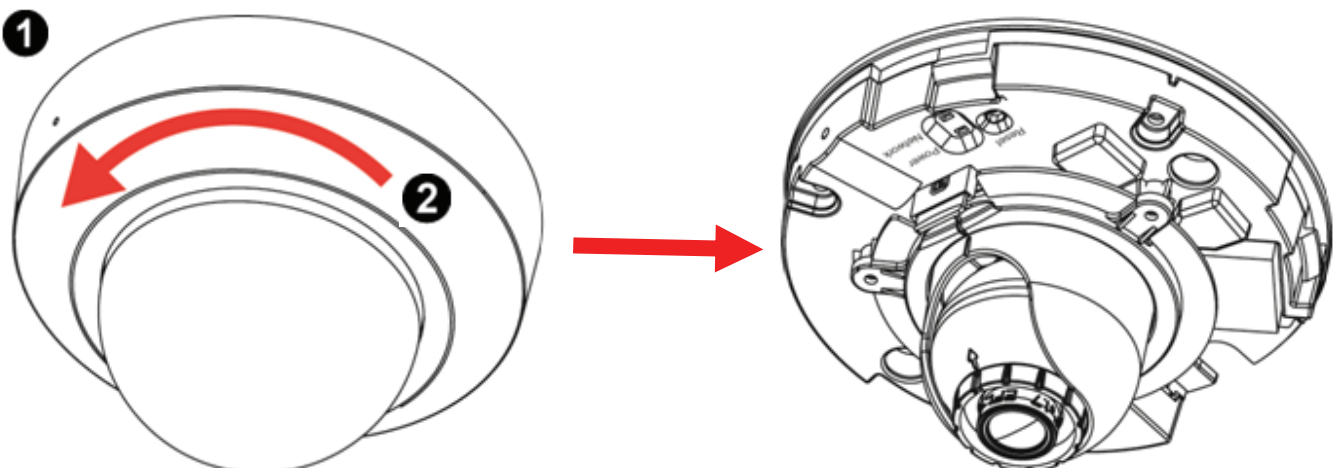
POWER MODE

| | | |
|----------|-------------------|--------------------------------|
| PoE Mode | Power Requirement | PoE (IEEE802.3af) with Class 3 |
| | Power Consumption | 5W |

INSTALL THE CAMERA AND CONNECT ALL CABLES

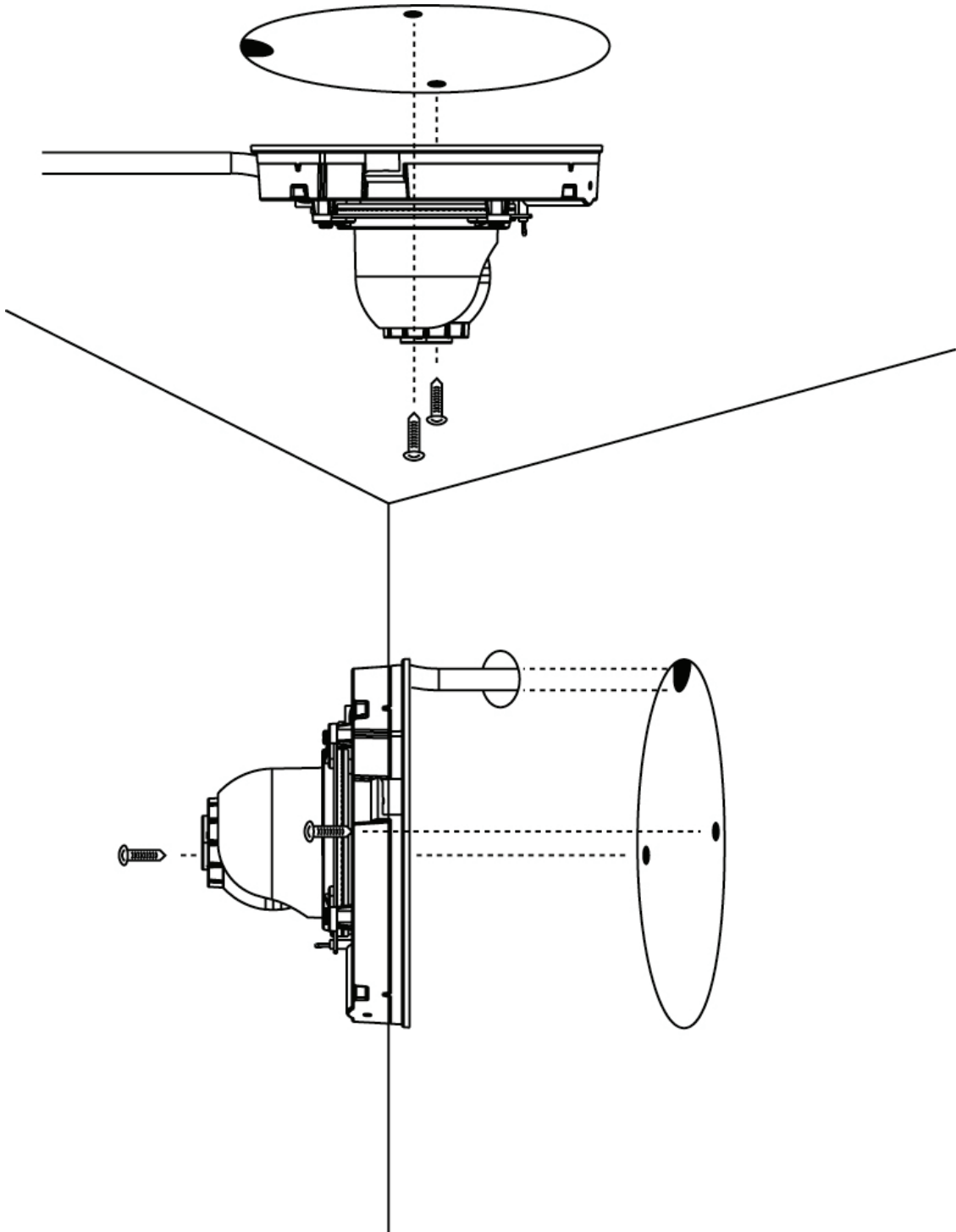
a. Remove Dome Cover

1) Before installation, remove the dome cover by rotating counter-clockwise to separate from base.



b. Wall Mounting And Ceiling Mounting

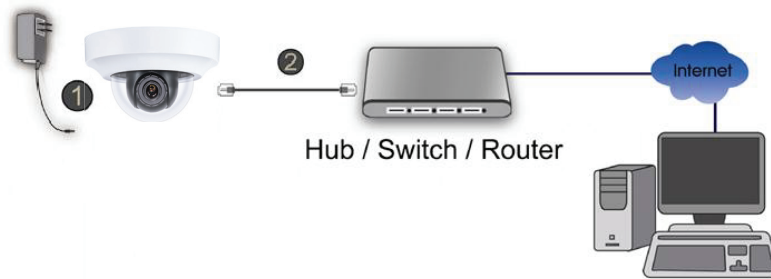
- 1) Attach the mounting template to the wall/ceiling. Drill holes into the wall, drill the “Conduit Hole” (on the mounting template) if you want to route cables through the mounting surface.
- 2) Then hammer the supplied plastic anchors into the screw holes (if mounting to drywall).
- 3) Align the holes on the base of camera with the plastic anchors on the wall or ceiling, and insert the supplied screws to the corresponding hole and tighten the screws.



Note: When using this device, please use an Ethernet cable without the strain relief boot.

c. Connect Cables And Power Supply

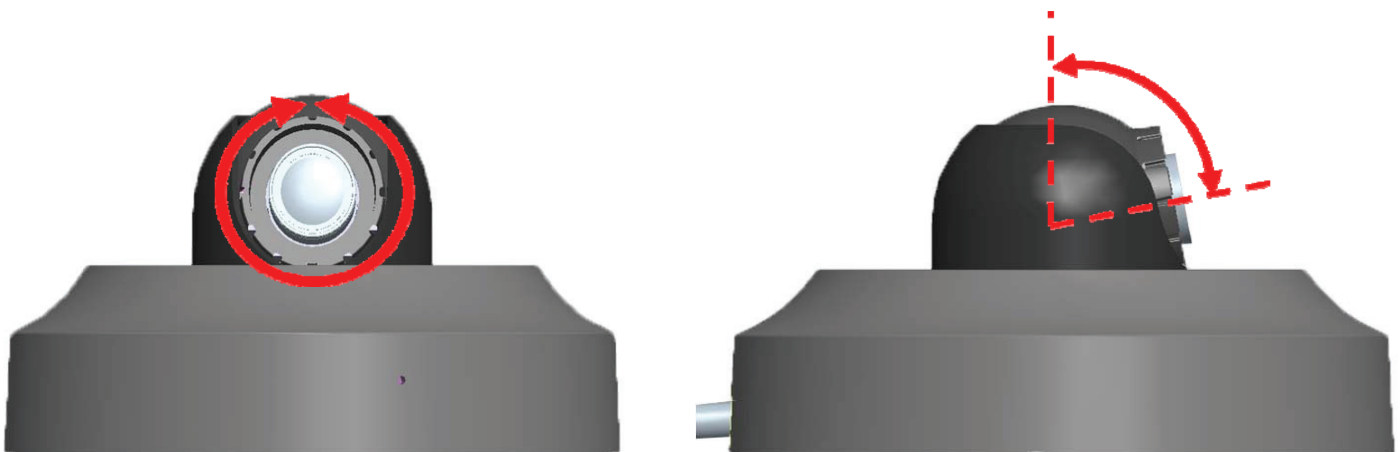
1. Using a standard RJ-45 network cable, connect the IP Camera to a PoE-enabled Hub / Switch / Router.



Note: If using a non-PoE switch, please use a PoE power injector to connect the camera.

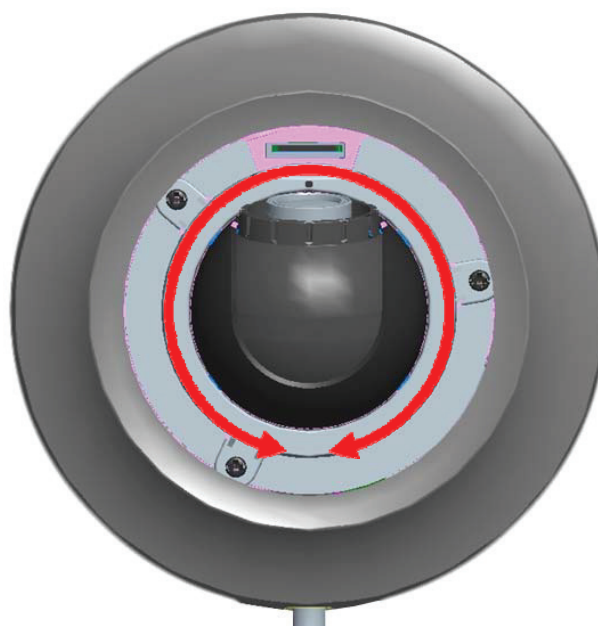
d. 3 Axis Camera Adjustment

Rotate Notice: DO NOT rotate the lens more than twice. Doing so will damage the camera lens module.



Rotate 360°

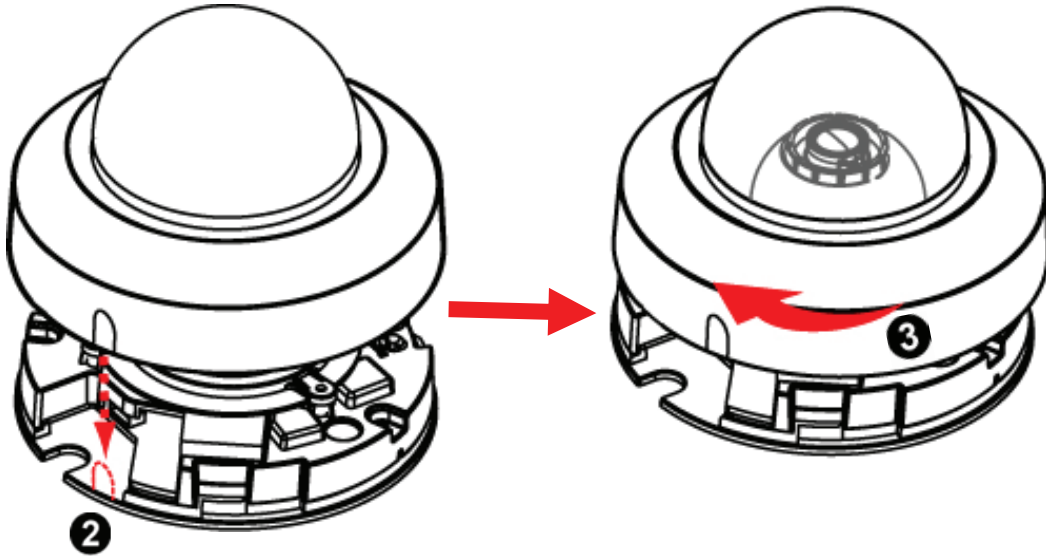
Tilt 79°



Pan 344°

e. Completion

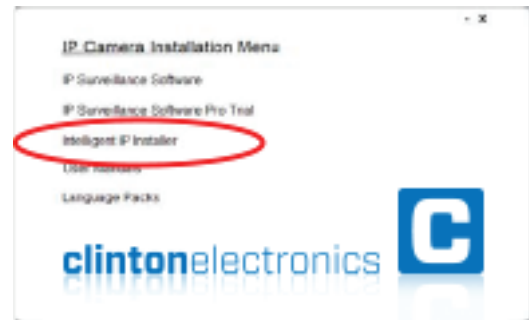
- 1) Clean any finger prints or dust from the inside of the dome bubble.
- 2) Align the U-shaped cutout on the dome cover close to the ethernet cable exiting the camera.
- 3) Tighten the dome cover clockwise until the cutout in the dome cover aligns with the cable routing hole on the camera base.



Note: When locking dome cover onto the base, take precaution that you do not pinch the ethernet cable.

Microsoft OS: Use the software CD to install Intelligent IP Installer

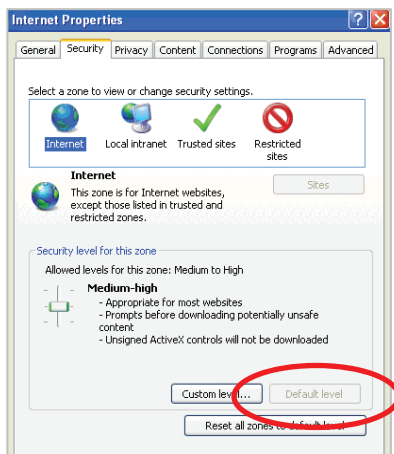
Power on your PC and insert the CD-ROM. The setup page will show up automatically. Please follow these steps to install the firmware. Select “Intelligent IP Installer” and follow the installation process to complete the installation.



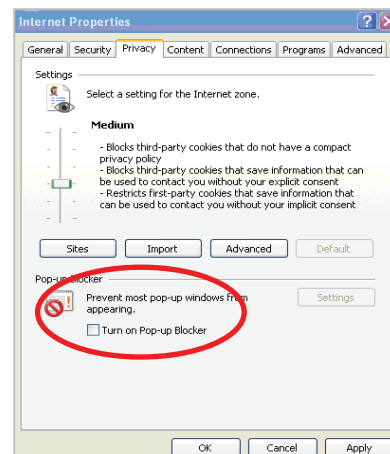
Access the IP Camera using Intelligent IP Installer

1. Please check two settings before using Intelligent IP Installer.

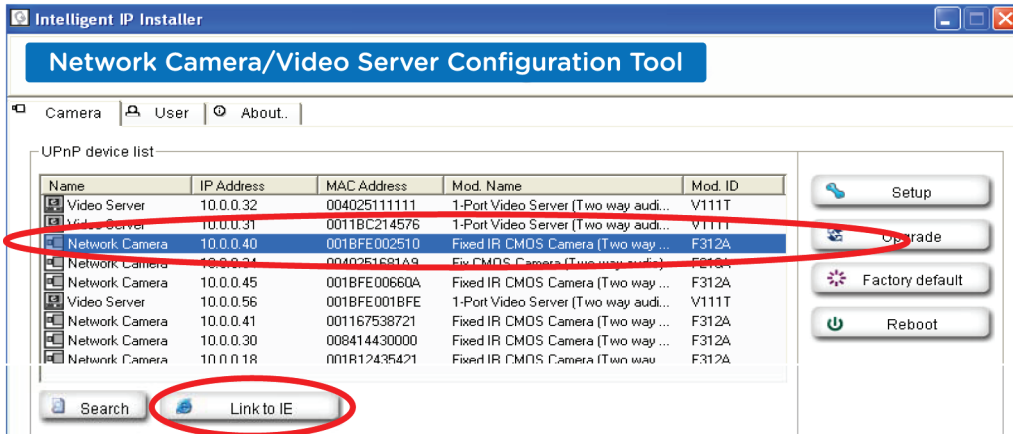
a. Browser's Internet Properties/ Security/Default Level



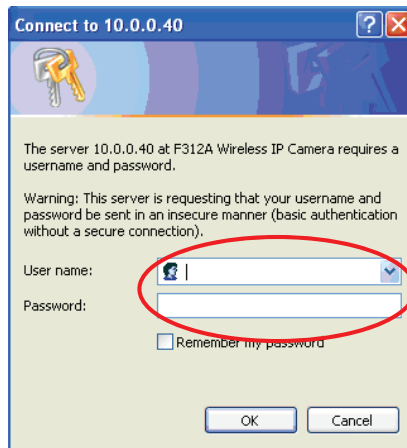
b. Browser's Internet Properties/ Privacy/Uncheck Pop-up Blocker



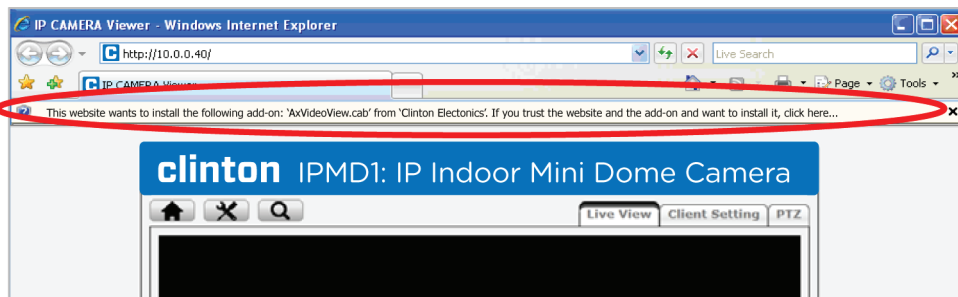
2. Click the Intelligent IP Installer Icon on your desktop. The main page will show up listing all active camera and video server devices. Select the relevant IP camera from the list and click Link to IE.



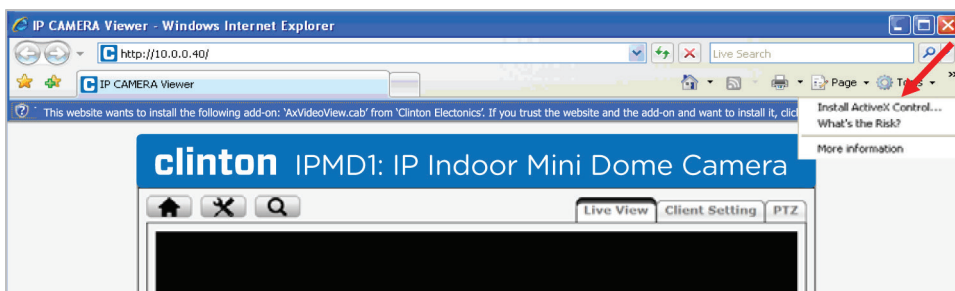
3. Enter your Username and Password to login to the IP Camera. (Default is admin / admin). Then go to Settings/Compatibility View. Type in the camera's IP address and click ADD. Once the camera's IP address has been added to the Compatibility View list, click CLOSE.



4. When accessing the IP Camera for the first time, a yellow information bar appears below the address bar: This website wants to install the following add-on: 'AxvideoView.cab from 'Clinton Electronics'.



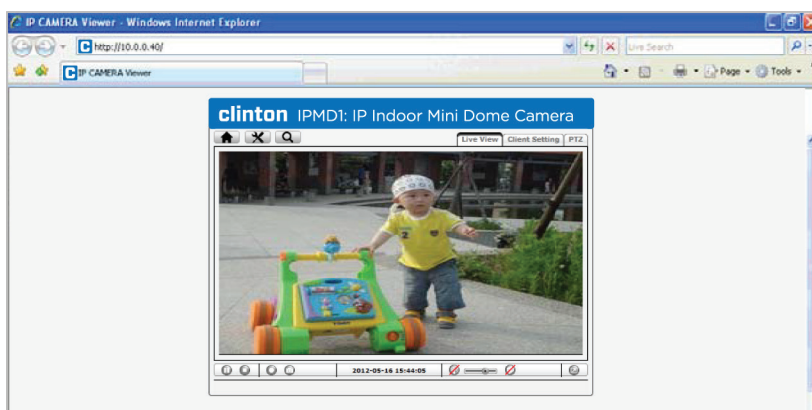
5. Click the information bar, and select Install ActiveX control.



6. Click Install.



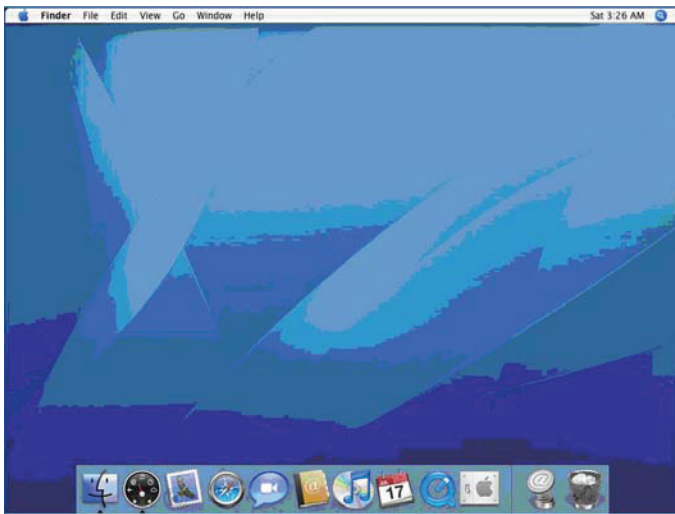
7. Live video displays in the center of your web browser.



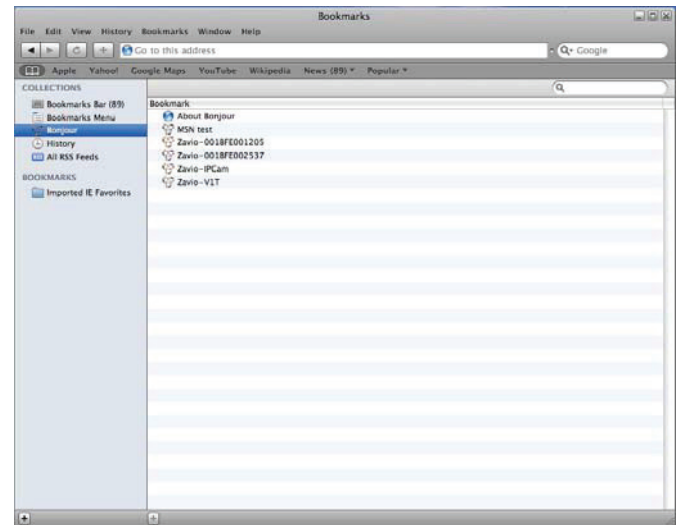
Note: Internet Explorer is currently the only browser that supports recorded video in Playback. Google Chrome, Firefox, and Safari only support live video.

Mac OS using Safari Browser

1. Select Safari icon



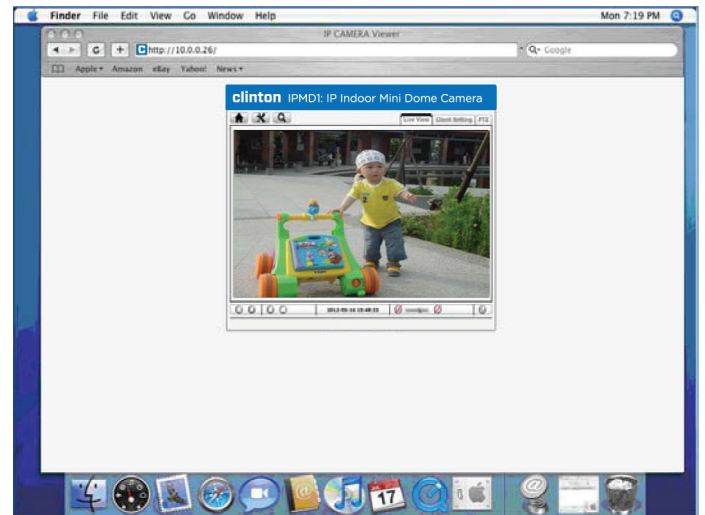
2. Click Bonjour function and select the camera you wish to access.



3. Enter name and password to login to the IP camera. (Default is admin / admin)



4. The monitor image will be displayed in your browser.



Minimum System Requirements

For normal operation and viewing of the network camera, it's recommended that your system meet these minimum requirements for proper operation:

| Item | Minimum Requirements |
|------------------|---|
| CPU | Pentium 4 2.8GHz (or equivalent AMD) |
| Graphics Card | 256MB RAM graphic cards (or equivalent on-board graphic cards) |
| RAM | Minimum 1 GB of RAM, (2GB or above is recommended) |
| Operating System | Windows 2000, 2003, XP, Vista or Windows 7 Mac OS Leopard 10.5 |
| Web Browser | Internet Explorer 8 or later |

Note:

- 1. If using Windows 98 or Windows ME, please install IP Installer before using WEB UI to ensure the system runs normally.*
- 2. If not able to view the recorded video file, please install Xvid codec while installing Intelligent IP Installer. (For Windows 98, ME or 2000 server, the codec might not work properly. Please download Xvid codec 1.0 from the internet.)*
- 3. Please keep updating the latest Windows software and service package. (Ex: Net Framework, Windows Media Player, Enhance ActiveX Security)*

CONTACT



CCTV Sales
1-800-447-3306



CCTV Support
1-800-549-6393



Address
6701 Clinton Road
Loves Park, IL 61111



Web
www.clintonelectronics.com

MEMO

A series of horizontal dotted lines for writing.

clintonelectronics

Make sure you read this manual before using the camera. Store this manual safely so that you can use it in the future. Please use this manual along with the Installation Manual included with the camera.

Clinton Electronics Corp. 6701 Clinton Road. Loves Park, IL 61111

Sales: 1-800-447-3306 Support: 1-800-549-6393 www.clintonelectronics.com

v.03.13.14