

# clintonelectronics



## **CE-IPB3** IP Outdoor IR Bullet **Quick Installation Guide**

**Clinton Electronics Corp.** 6701 Clinton Road. Loves Park, IL 61111

---

Sales: 1-800-447-3306 Support: 1-800-549-6393 [www.clintonelectronics.com](http://www.clintonelectronics.com)

Please follow the installation steps below to set up your CE-IPB3 IP Outdoor IP Bullet Camera.

Check the package contents against the list below. *See P.1*

Physical overview. *See P.1*

LED Indicator Definition. *See P.2*

Install the camera and connect all cables. *See P.3*

Microsoft OS: Use the software CD to install Intelligent IP Installer. *See P.5*

Access the IP Camera using Intelligent IP Installer. *See P.5*

Mac OS using Safari Browser. *See P.8*

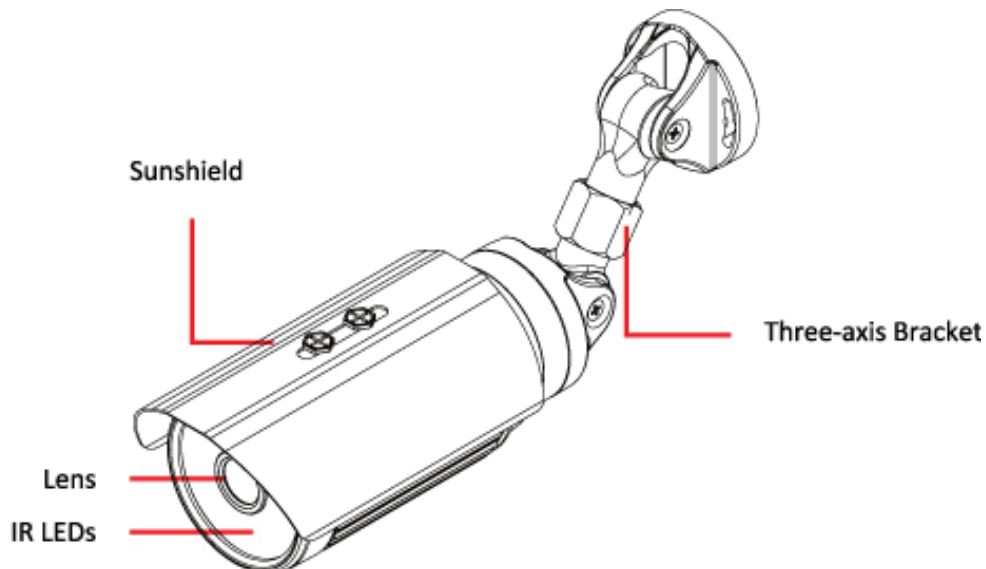
For more information, please check the User Manual available in the Software CD or you can download the latest software from <http://clintonelectronics.com>

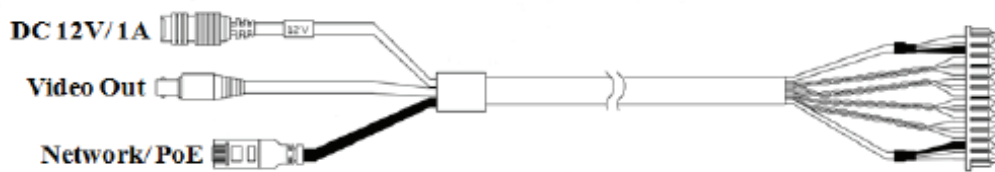
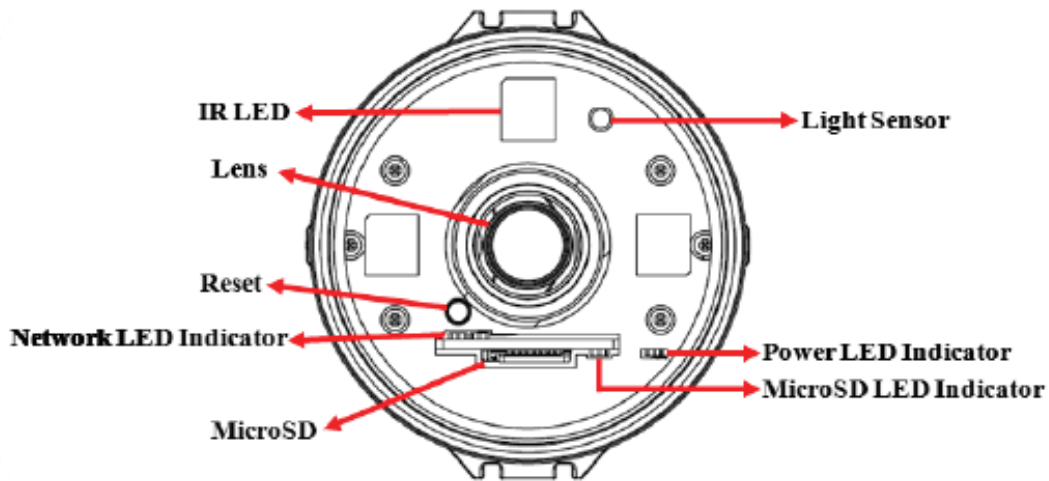
**Note:**

*CAT5 cables are supplied by user. RJ45 Ethernet network connection (using CAT5 standard UTP or better quality cable) for Power over Ethernet (PoE 802.3af)*

PACKAGE CONTENTS	
Camera	<ul style="list-style-type: none"><li>• CE-IPB3 IP Outdoor IR Bullet Camera</li></ul>
Quick Installation Guide	<ul style="list-style-type: none"><li>• Brief product information and quick installation</li></ul>
Software CD	<ul style="list-style-type: none"><li>• IP Surveillance Software</li><li>• Intelligent IP Installer</li><li>• User Manual</li><li>• Language Packs</li></ul>
Accessory	<ul style="list-style-type: none"><li>• Screw pack for wall &amp; ceiling mounting (2 screws, 2 plastic wall anchors)</li><li>• CAT5 Female Coupler</li></ul>

## PHYSICAL OVERVIEW





## LED INDICATOR DEFINITION

LED	Color	Indication
Network	Green	Steady green for network link
	Orange	Flashes orange when there is activity
Power	Red	Steady red for booting up process; Steady red 30 Seconds when WPS configure failed.
	Blue	Steady blue for booting up completion
	Purple	Flashes purple during firmware upgrading; when reset button pressed for at least 5 sec. to factory default
	Off	When you press reset button; or Power off
SD Card	Orange	Steady orange means SD Card is ready
		Flashes orange while accessing SD Card

**RESET:** When the camera is powered, press the 'RESET' button to reboot the camera, or hold the 'RESET' button for 10 seconds to restore the factory default camera settings.

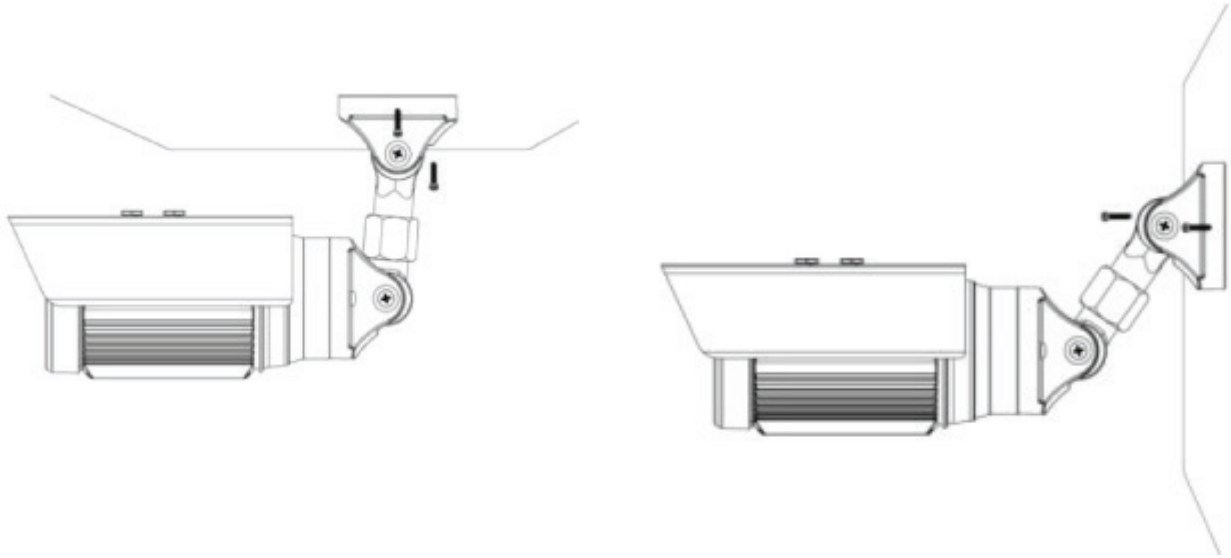
**RESET PROCESS:** Press the 'RESET' button until indicator light goes OFF -> steady RED (booting up process) -> steady BLUE (booting up complete).

**RESET TO DEFAULT PROCESS:** Press until indicator steady BLUE -> steady RED (booting up process) -> steady BLUE (booting up complete).

# INSTALL THE CAMERA AND CONNECT ALL CABLES

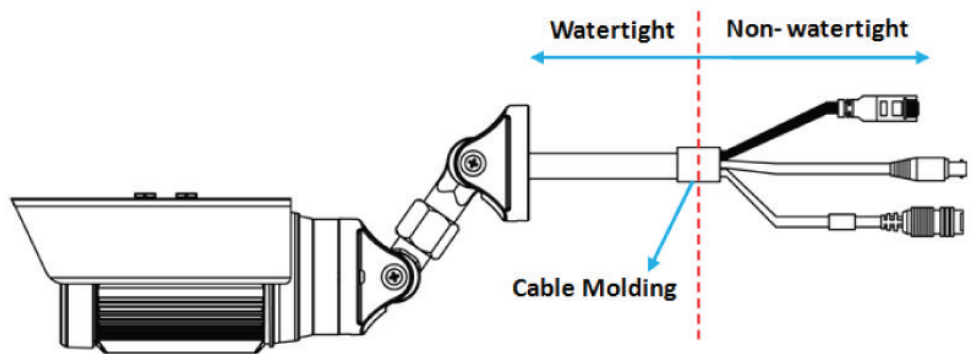
## a. Wall Mounting And Ceiling Mounting

- 1) Using the supplied screws, mount the camera to the desired mounting surface. Use drywall anchors if mounting to drywall.



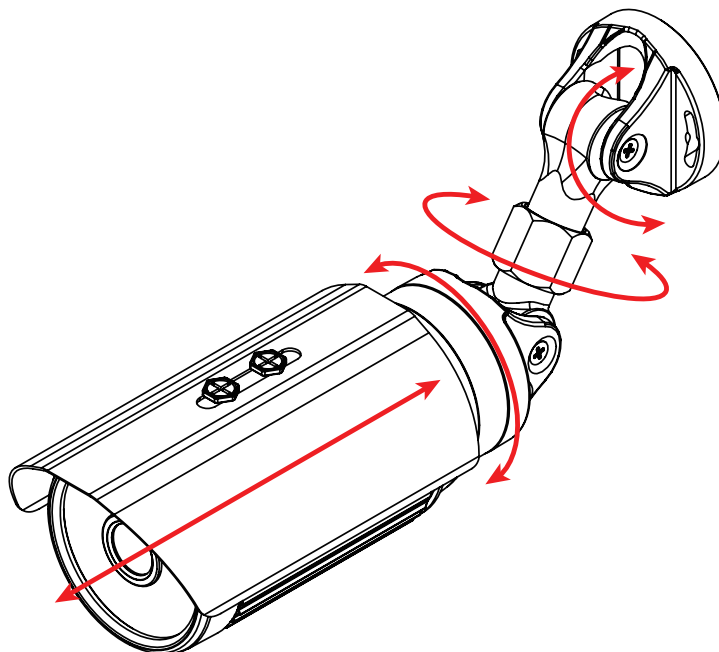
### Note:

To ensure the IP67 weather rating, the cable connections past the cable molding should not be exposed to moisture.



## b. 3 Axis Adjustment

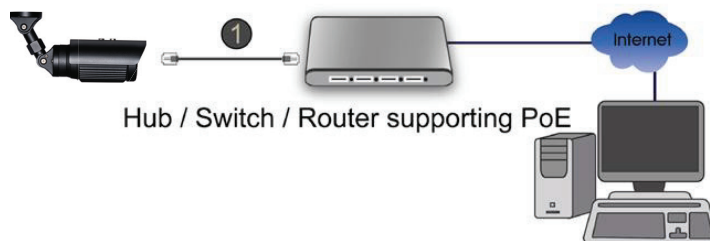
- 1) Loosen the screws on the base of the bracket to adjust the tilt of the camera.
- 2) Loosen the nut on the bracket arm to adjust the pan of the camera.
- 3) Tighten screws and nut after camera adjustments have been made.



### c. Connect Cables And Power Supply

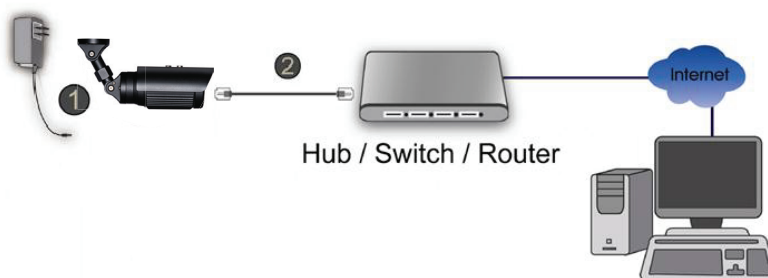
c1) Without PoE (Power Over Ethernet) connection.

1. Connect the power supply to the IP Camera.
2. Using a standard RJ-45 network cable, connect the IP Camera to a normal Hub / Switch / Router.



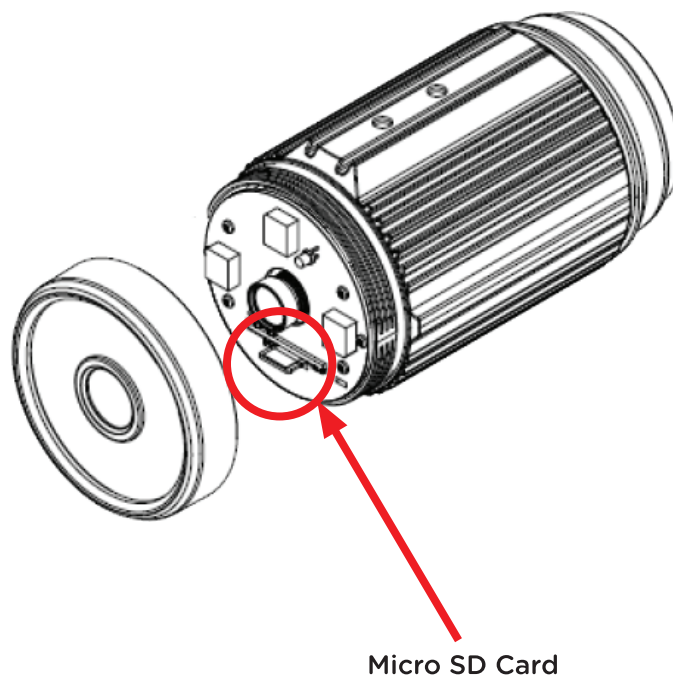
c2) With PoE (Power Over Ethernet) connection.

1. Using a standard RJ-45 network cable, connect the IP Camera to a PoE-enabled Hub / Switch / Router.



### d. SD Card Access

- 1) To access the SD Card, remove the front cover by turning counter-clockwise.



# Microsoft OS: Use the software CD to install Intelligent IP Installer

Power on your PC and insert the CD-ROM. The setup page will show up automatically. Please follow these steps to install the firmware. Select “Intelligent IP Installer” and follow the installation process to complete the installation.



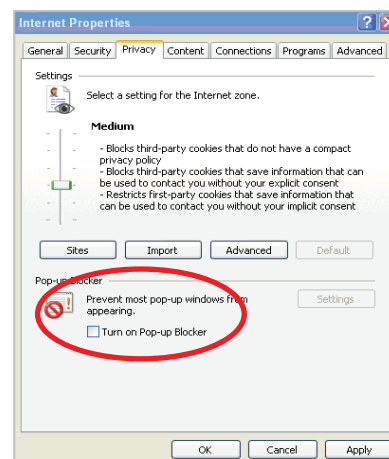
## Access the IP Camera using Intelligent IP Installer

1. Please check two settings before using Intelligent IP Installer.

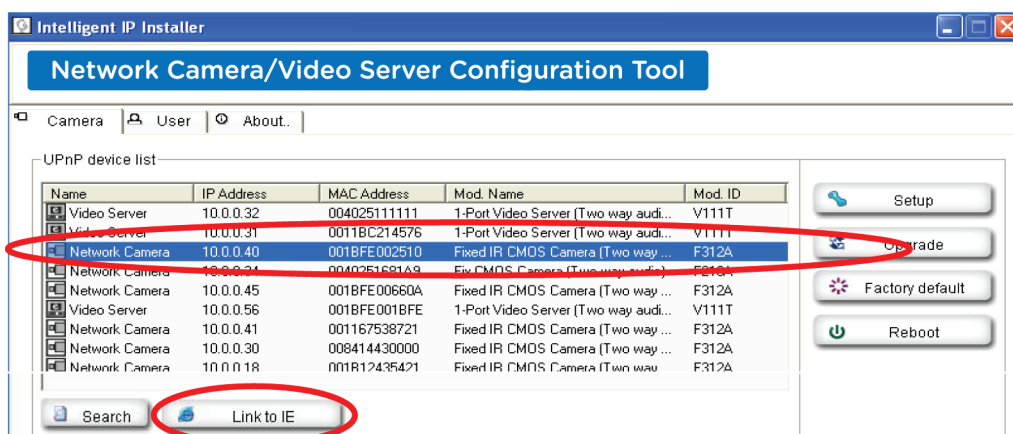
a. Browser's Internet Properties/  
Security/Default Level



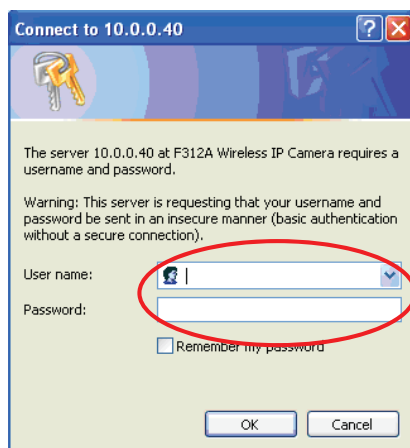
b. Browser's Internet Properties/  
Privacy/Uncheck Pop-up Blocker



2. Click the Intelligent IP Installer Icon on your desktop. The main page will show up listing all active camera and video server devices. Select the relevant IP camera from the list and click Link to IE.



3. Enter your Username and Password to login to the IP Camera. (Default is admin / admin). Then go to Settings/Compatibility View. Type in the camera's IP address and click ADD. Once the camera's IP address has been added to the Compatibility View list, click CLOSE.



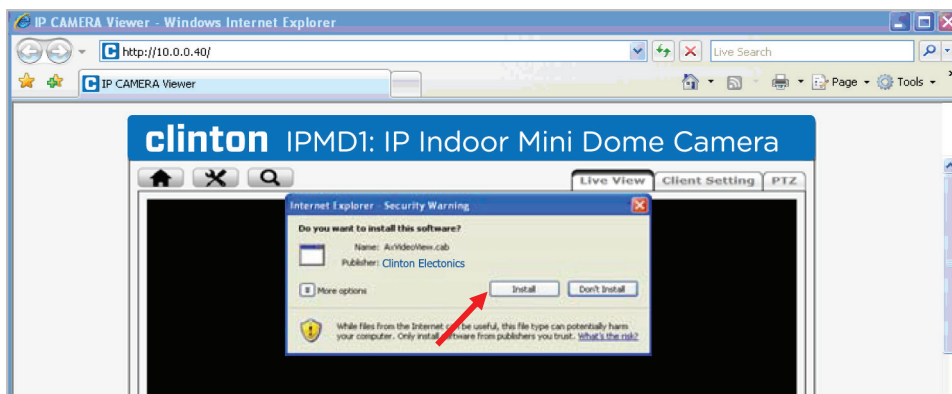
4. When accessing the IP Camera for the first time, a yellow information bar appears below the address bar: This website wants to install the following add-on: 'AxvideoView.cab' from 'Clinton Electronics'.



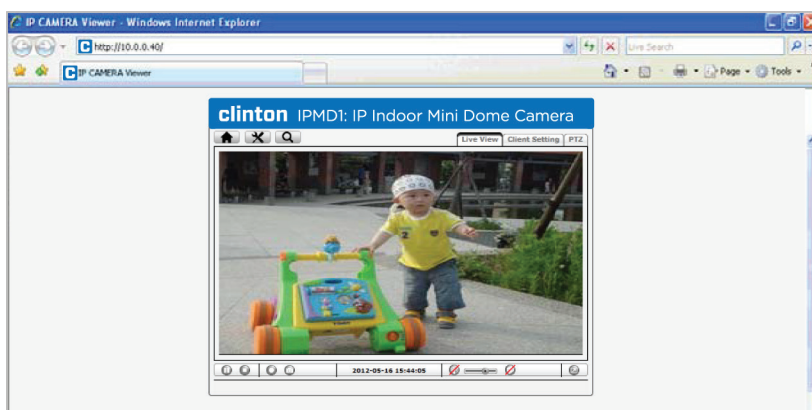
5. Click the information bar, and select Install ActiveX control.



6. Click Install.



7. Live video displays in the center of your web browser.

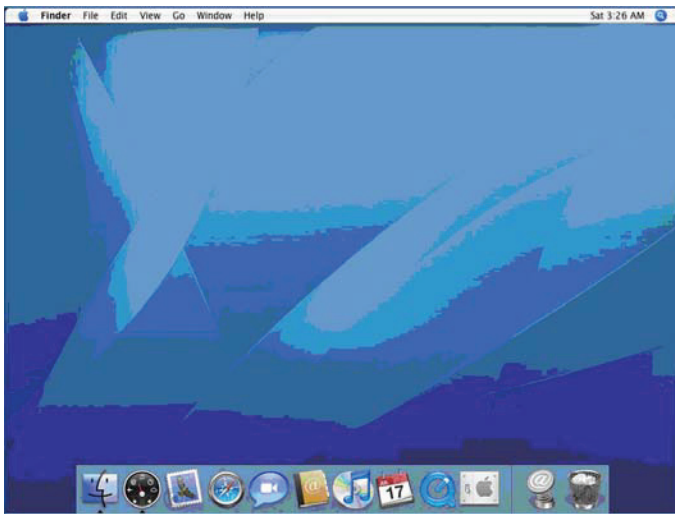


**Note:**

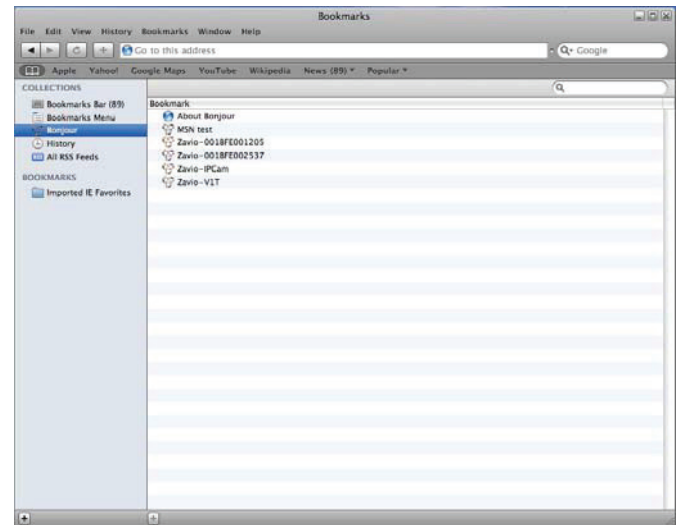
*Internet Explorer is currently the only browser that supports recorded video in Playback. Google Chrome, Firefox, and Safari only support live video.*

# Mac OS using Safari Browser

1. Select Safari icon



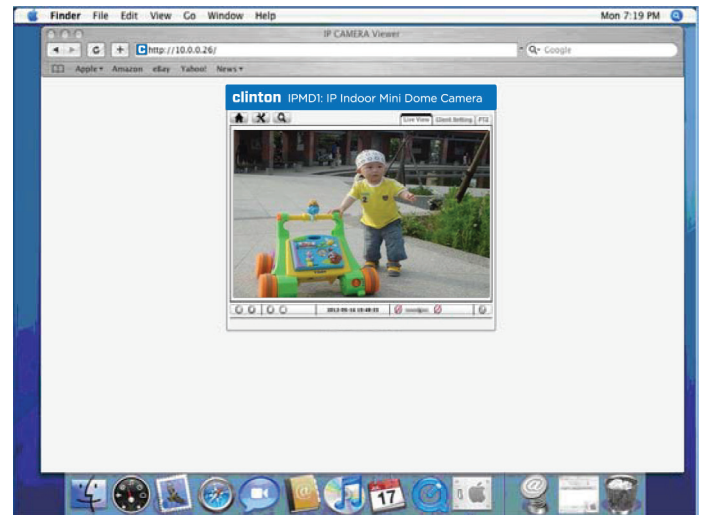
2. Click Bonjour function and select the camera you wish to access.



3. Enter name and password to login to the IP camera. (Default is admin / admin)



4. The monitor image will be displayed in your browser.



# Minimum System Requirements

For normal operation and viewing of the network camera, it's recommended that your system meet these minimum requirements for proper operation:

Item	Minimum Requirements
CPU	Pentium 4 2.8GHz (or equivalent AMD)
Graphics Card	256MB RAM graphic cards (or equivalent on-board graphic cards)
RAM	Minimum 1 GB of RAM, (2GB or above is recommended)
Operating System	Windows 2000, 2003, XP, Vista or Windows 7 Mac OS Leopard 10.5
Web Browser	Internet Explorer 8 or later

## Note:

- 1. If using Windows 98 or Windows ME, please install IP Installer before using WEB UI to ensure the system runs normally.*
- 2. If not able to view the recorded video file, please install Xvid codec while installing Intelligent IP Installer. (For Windows 98, ME or 2000 server, the codec might not work properly. Please download Xvid codec 1.0 from the internet.)*
- 3. Please keep updating the latest Windows software and service package. (Ex: Net Framework, Windows Media Player, Enhance ActiveX Security)*

## CONTACT



**CCTV Sales**  
1-800-447-3306



**CCTV Support**  
1-800-549-6393



**Address**  
6701 Clinton Road  
Loves Park, IL 61111



**Web**  
[www.clintonelectronics.com](http://www.clintonelectronics.com)



# clintonelectronics

Make sure you read this manual before using the camera. Store this manual safely so that you can use it in the future. Please use this manual along with the Installation Manual included with the camera.

**Clinton Electronics Corp.** 6701 Clinton Road. Loves Park, IL 61111

---

Sales: 1-800-447-3306 Support: 1-800-549-6393 [www.clintonelectronics.com](http://www.clintonelectronics.com)

v.03.13.14