

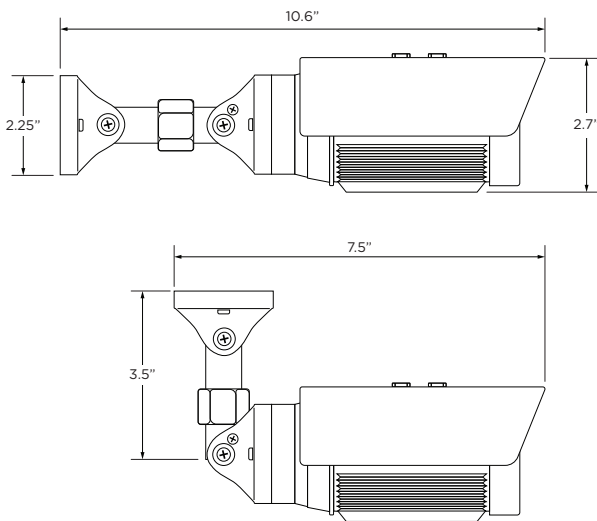
CE-IPB3 IP Outdoor IR True D/N Bullet



INFO:

- 1/2.7" 2 Megapixel CMOS Sensor
- Full HD 1080p Resolution at 30 FPS
- Multiple H.264, MJPEG, MPEG-4 & 3GPP Video Streams
- 3 High Performance IR LEDs
- 4mm (F1.8) Fixed Lens (True D/N Version)
- Micro SD Card Local Storage
- 3 Axis Adjustment
- IP67 Weather Rated
- DC12V / PoE (Power over Ethernet)
- Analog Video Output with BNC Connector
- ONVIF 2.3 and Profile S Compliant

DIMENSIONS:



SPECIFICATIONS:

CAMERA	
Image Sensor	1/2.7" 2 Megapixel CMOS Sensor
Scanning System	Progressive Scan
Resolution	Full HD 1080p
Lens	4mm (F1.8) Fixed Lens (True Day/Night Version)
Angle of View	77° Horizontal
Digital Zoom	10x Digital
Minimum Illumination	0.2 Lux @ F1.8
IR LEDs	3 (850nm) 50ft / 15m Effective Range
Shutter Speed	1/2 - 1/10,000 sec.
S/N Ratio	39dB
VIDEO	
Video Compression	H.264 baseline profile, MJPEG, MPEG-4 part 2 (ISO/IEC 14496-2) simple profile
Resolution	4 resolutions from 1920 x 1080 to 320 x 240 via API, 4 selections via configuration web page
Frame Rate	Up to 30 fps @ 1920 x 1080
Video Streaming	Simultaneous Motion JPEG, MPEG-4, H.264 and 3GPP (multiple streaming). Controllable frame rate and bandwidth. Support unicast and multicast. Support 3GPP/ ISMA RTSP (Real Time Streaming Protocol)
Image Settings	Brightness, Contrast, Saturation, WDR Enhanced, Rotation: mirror, flip, mirror flip, Overlay: time, date, text and privacy image.
NETWORK	
Security	Multiple user access levels with password protection, HTTPS encryption.
Supported Protocols	Bonjour, TCP/ IP, DHCP, DNS, DynDNS, PPPoE, ARP, ICMP, FTP, SMTP, NTP, UPnP, RTSP, RTP, RTCP, HTTP, HTTPS, SSL, TCP, UDP, 3GPP/ ISMA
Users	10 simultaneous users. Unlimited number of users using multicast.
Alarm & Event Management	Input: Motion Detection / Output: Network Storage, FTP, SMTP, pre-and post alarm buffer
GENERAL	
Connectors	RJ-45 Ethernet 10/ 100 Base-T (PoE) BNC Analog Video Output
Local Storage	microSD Card
Materials	Aluminum
Weather Rating	IP67
Power	DC12V: 1A, Max 12W PoE (Power over Ethernet) Built-in IEEE 802.3af
Operating Temperature	14°F - 122°F / -10°C - 50°C
Dimensions (L x H)	10.6" x 2.7" / 270mm x 69mm
Weight	1.98 lbs / 900 g
Certifications	CE, FCC, RoHS
SYSTEM REQUIREMENTS	
Installation, Management, and Maintenance	CLINTON camera management tool on CD and web-based configuration. Configuration of backup and restore firmware upgrades over HTTP, firmware available at www.clintonelectronics.com
Minimum Web Browsing Requirement	Pentium 4 2.8GHz (or equivalent AMD) 256MB RAM graphic cards (or equivalent on-board graphic cards) 1G RAM Window 2000, 2003, XP, Vista or Windows 7 Mac OS Leopard 10.5 or later

CERTIFICATIONS:

