

YV4.3x2.8SA-SA2L Fujinon CS Mount Lens

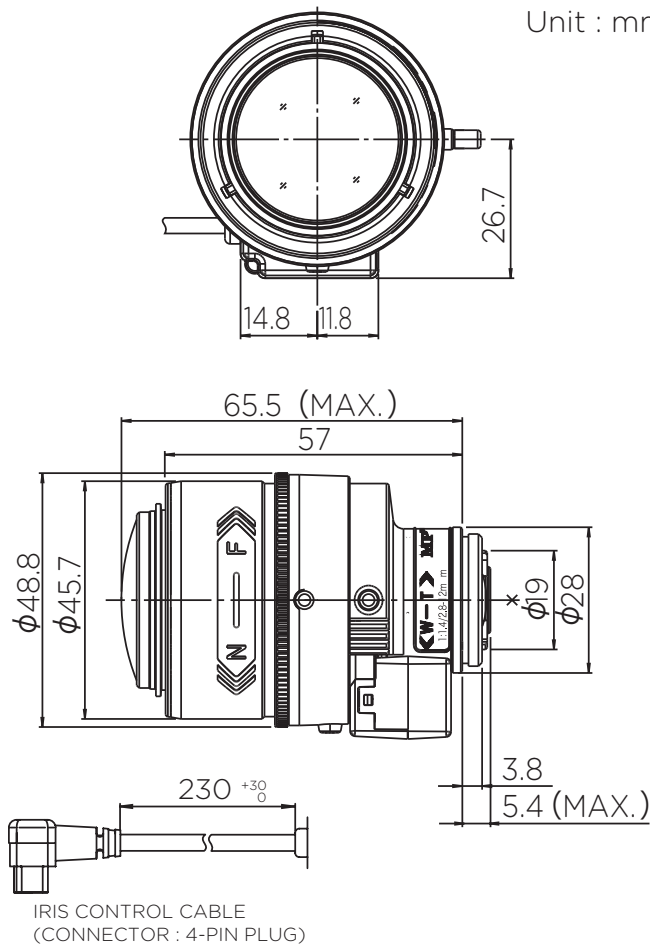


INFO:

- 2.8-12mm (4.3x)
- Supports Up to 3 Megapixels
- F1.4 - T360 (Equivalent to F360)
- Auto Iris (DC Type)
- Manual Focus
- CS-Mount

DIMENSIONS:

Unit : mm



SPECIFICATIONS:

Focal Length	2.8-12mm (4.3x)
Iris Range	F1.4 - T360 (Equivalent to F360)
Iris Operation	Auto, DC Type
Focus Operation	Manual
Zoom Operation	Manual
Mounting Type	CS Mount, Metal
Focusing Range	∞ - 0.3m
Back Focus Distance (in air)	7.83mm
Operating Voltage	23 mA (Max.) @ DC 4V
Operating Temperature	-4°F - 140°F / -20°C - 60°C
Weight	.17 lbs / 80g
1/3" Angle of View	
Wide (4:3 Aspect Ratio)	100.02° × 74.03°
Tele (4:3 Aspect Ratio)	23.26° × 17.36°
Wide (16:9 Aspect Ratio)	109.33° × 60.80°
Tele (16:9 Aspect Ratio)	25.31° × 14.23°
1/4" Angle of View	
Wide (4:3 Aspect Ratio)	74.03° × 55.06°
Tele (4:3 Aspect Ratio)	17.36° × 13.13°
Wide (16:9 Aspect Ratio)	80.56° × 44.51°
Tele (16:9 Aspect Ratio)	19.10° × 10.48°