

YV2.8x2.8SR4A-SA2L Fujinon CS Mount Lens

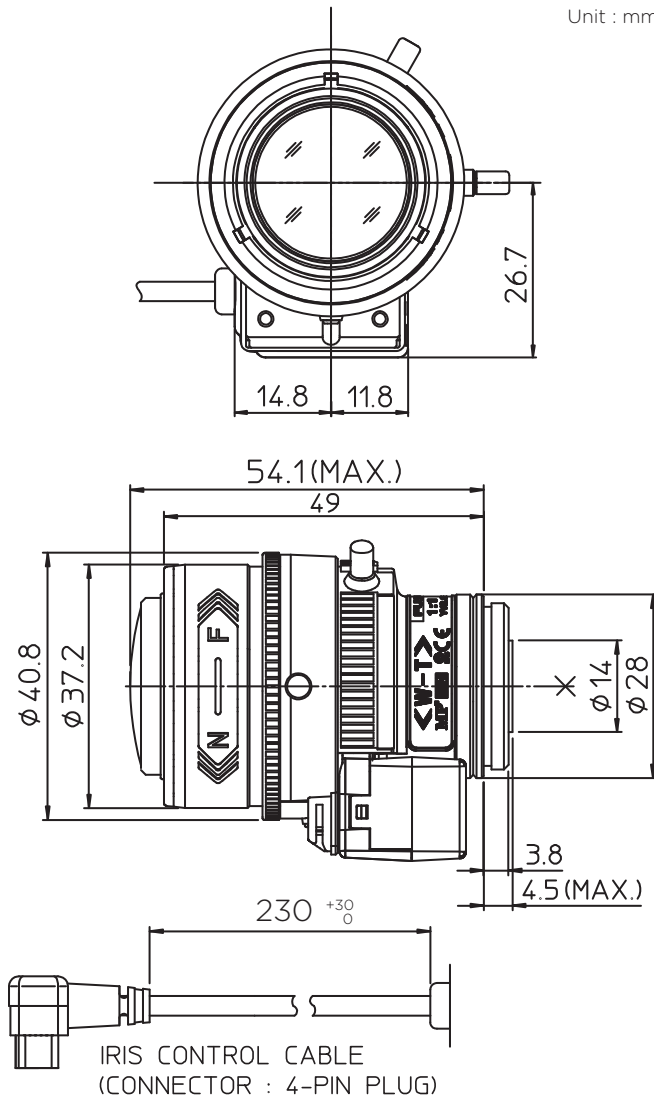


INFO:

- 2.8-8mm (2.8x)
- Supports Up to 3 Megapixels
- F1.3 - T360 (Equivalent to F360)
- Auto Iris (DC Type)
- Day/Night
- Manual Focus
- CS-Mount

DIMENSIONS:

Unit : mm



SPECIFICATIONS:

Focal Length	2.8-8mm (2.8x)
Iris Range	F1.3 - T360 (Equivalent to F360)
Iris Operation	Auto, DC Type
Focus Operation	Manual
Zoom Operation	Manual
Mounting Type	CS Mount, Metal
Focusing Range	∞ - 0.3m
Back Focus Distance (in air)	8.49mm
Operating Voltage	23 mA (Max.) @ DC 4V
Operating Temperature	-4°F - 140°F / -20°C - 60°C
Weight	.13 lbs / 60g
1/2.7" Angle of View	
Wide (4:3 Aspect Ratio)	112.33° × 81.21°
Wide (4:3 Aspect Ratio)	38.53° × 28.08°
Wide (16:9 Aspect Ratio)	125.06° × 65.35°
Tele (16:9 Aspect Ratio)	42.23° × 23.47°
1/3" Angle of View	
Wide (4:3 Aspect Ratio)	100.34° × 73.22°
Tele (4:3 Aspect Ratio)	35.16° × 26.26°
Wide (16:9 Aspect Ratio)	111.08° × 59.19°
Tele (16:9 Aspect Ratio)	38.27° × 21.35°
1/4" Angle of View	
Wide (4:3 Aspect Ratio)	73.22° × 54.18°
Tele (4:3 Aspect Ratio)	26.26° × 19.49°
Wide (16:9 Aspect Ratio)	80.23° × 44.13°
Tele (16:9 Aspect Ratio)	28.47° × 16.13°