

CE-M3(B)

Strut or Flat Surface Mount for LCDs & PVMs

⚠ Maximum Load Capacity: 15 lbs / 6.803 kgs ⚠

KEY FEATURES:

- 9.5" Arm
- Cable Through Bracket Design
- Mounts to 1.5" Strut Channel or Flat Surface
- 2 Axis Adjustment
- Threaded 3/4" EMT Conduit Hole
- VESA 75
- Hardware Included for Strut Channel Mount
- UL Listed

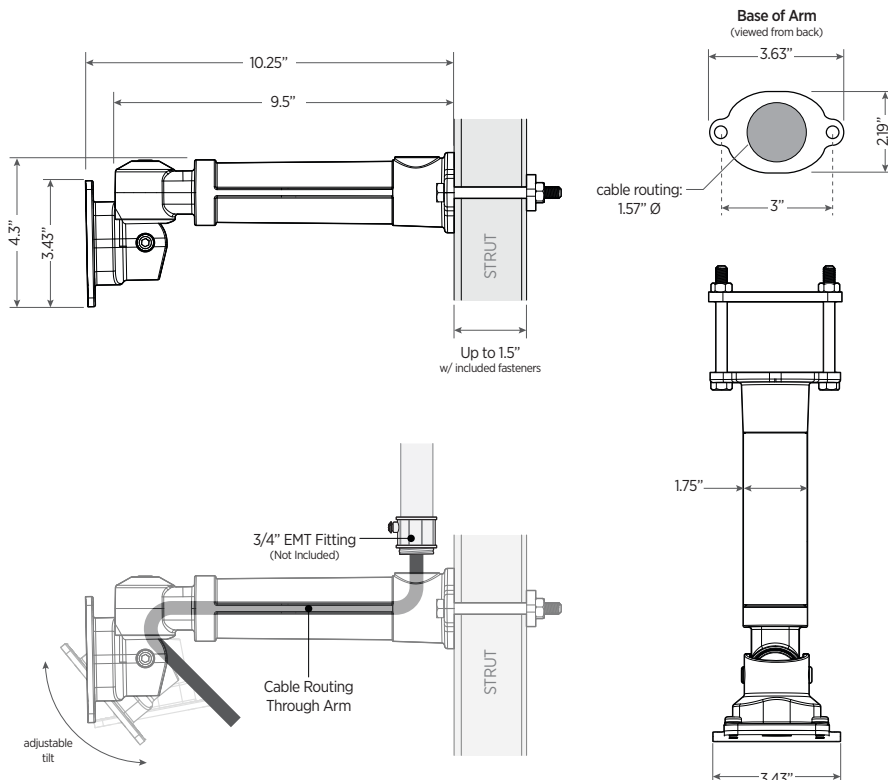
** Recommended for LCD or PVM up to: 15 lbs*



■ CE-M3 (white)

■ CE-M3-B (black)

DIMENSIONS:



GENERAL	
Materials	Aluminum
Dimensions (L x W x H)	10.25" x 3.63" x 4.3" 260.35mm x 111.252mm x 109.2mm
Weight	1.6 lbs / .725kg