

CE-M3(B) Install Guide

- Included Items:**
- CE-M3(B) Mounting Bracket
 - Mounting Hardware
 - 5mm Allen Wrench
 - Instructions

- Required Items:**
- Two 13mm Wrenches

! Maximum Load Capacity: 15 lbs / 6.8 kgs !



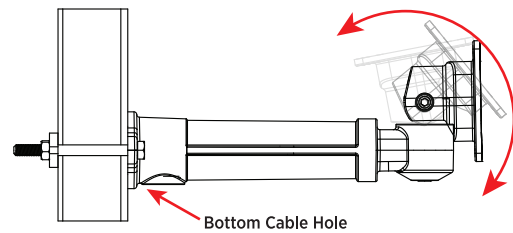
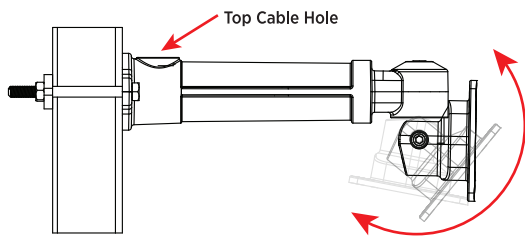
CAUTION!

USE ONLY AS DESIGNED

THIS PRODUCT IS DESIGNED TO MOUNT TO A STEEL STRUT CHANNEL WITH THE SUPPLIED BOLTS ONLY. IT IS INTENDED FOR USE ONLY WITH THE MAXIMUM WEIGHT INDICATED. USE WITH PRODUCTS HEAVIER THAN THE MAXIMUM WEIGHTS INDICATED MAY RESULT IN INSTABILITY CAUSING POSSIBLE INJURY.

1. DETERMINE MOUNTING ORIENTATION

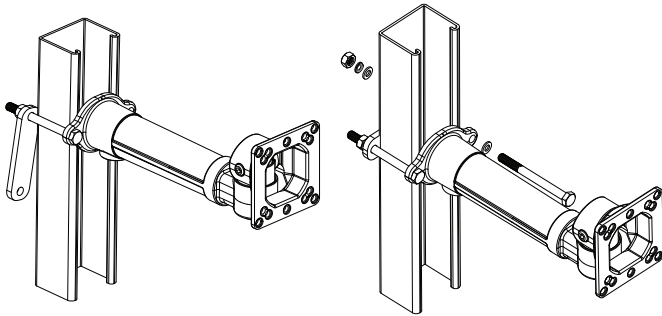
Determine which direction the mounting head should tilt, as well as top or bottom cable routing location.



2. ATTACH TO STRUCTURE

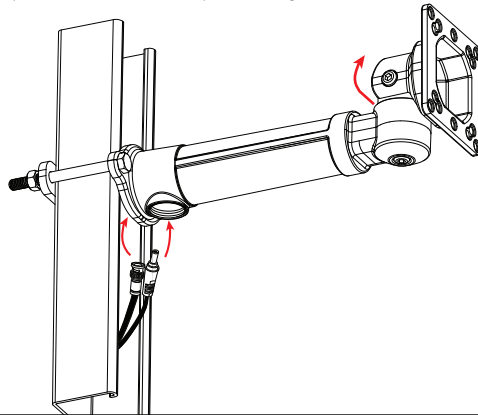
Attach the back plate to the mount using one 2-1/2" bolt, two flat washers, one lock washer, and one nut.

Place the bracket onto your mounting structure, and rotate the mounting plate into position. Attach the remaining bolt, washers, lock washer, and nut and tighten onto the structure.



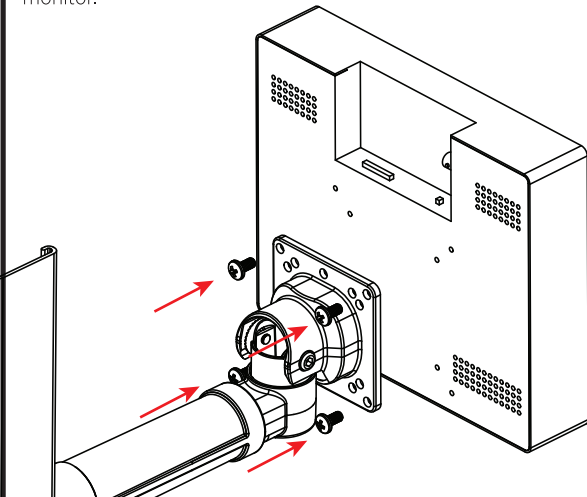
3. ROUTE CABLES

Cables can be routed through the backside of the bracket, or through the cable access hole in the bracket's arm. The hole in the bracket's arm can also accept a 3/4" conduit adapter fitting if needed.



4. ATTACH MONITOR

Attach the monitor to the bracket using appropriate sized screws for your monitor.



5. ADJUST ANGLE

Using the included 5mm Allen wrench, loosen the three Allen head bolts to adjust the tilt, and angle of the mounting head.

