

# VXAP • VXAPB

## INSTALLATION GUIDE

### Included Items:

- Vandal X Wall Bracket Adapter Plate x 1
- Phillips Head Screws x 4
- Washers x 4

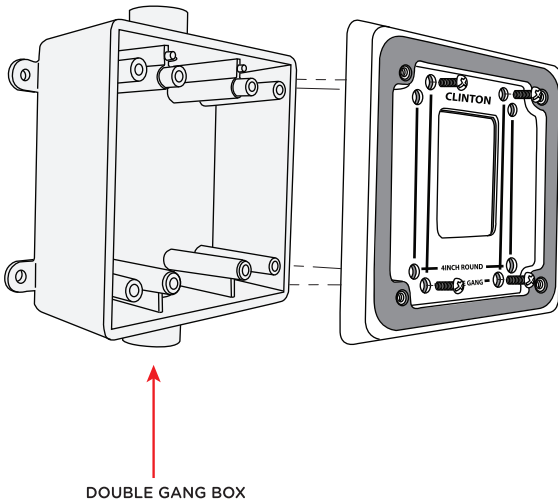
### Required Items:

- Phillips Head Screwdriver
- CE-VXWB or CE-VXWBB
- Double Gang Box or 4" Round Box

## DOUBLE GANG BOX INSTALL

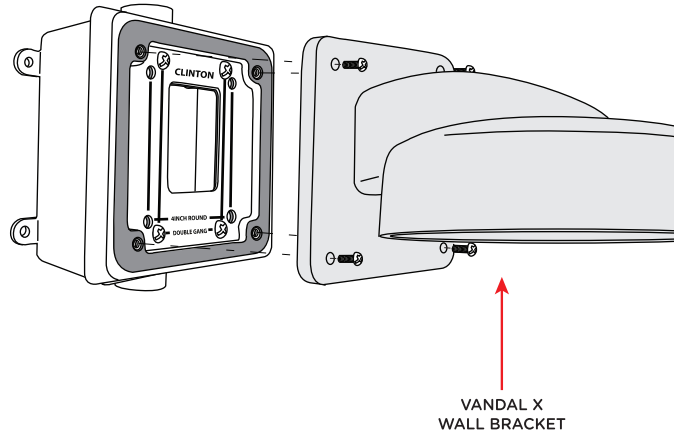
### 1. Attach to Conduit Box

Attach the adaptor plate to the conduit box using the 4 holes marked "DOUBLE GANG".



### 2. Attach Wall Bracket

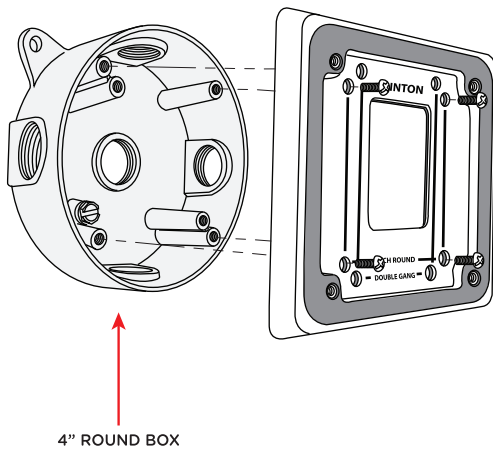
Attach the VANDAL X Wall Bracket (sold separately) to the adaptor plate by screwing in four 1/4"-20 screws into the 4 outer most holes on the adaptor plate as shown.



## 4" ROUND BOX INSTALL

### 1. Attach to Conduit Box

Attach the adaptor plate to the conduit box using the 4 holes marked "4 INCH ROUND".



### 2. Attach Wall Bracket

Attach the VANDAL X Wall Bracket (sold separately) to the adaptor plate by screwing in four 1/4"-20 screws into the 4 outer most holes on the adaptor plate as shown.

