

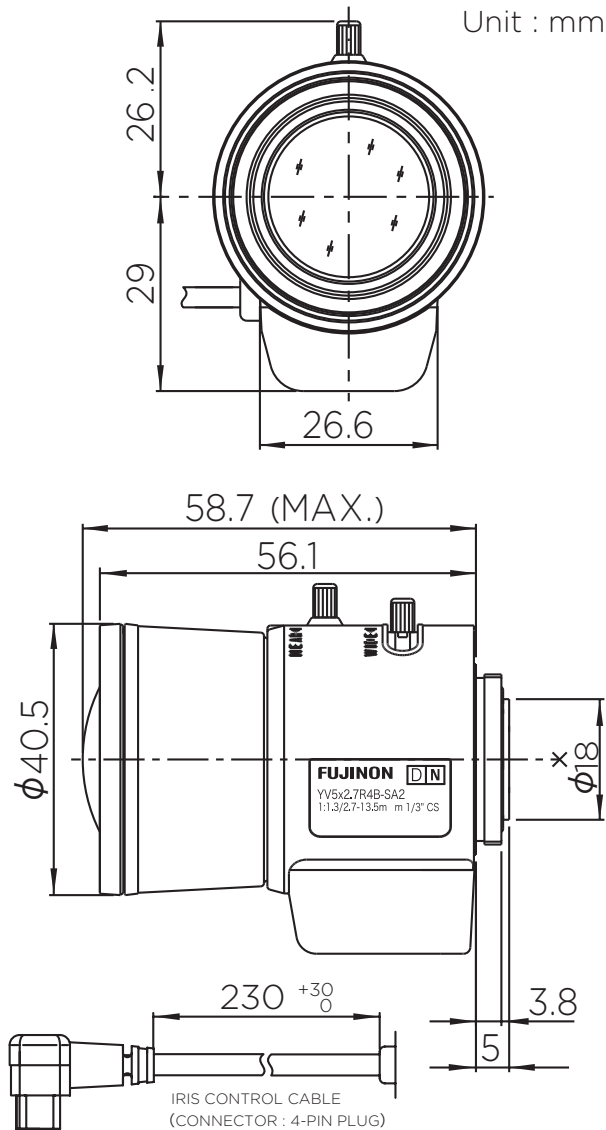
YV5x2.7R4B-SA2L Fujinon CS Mount Lens



INFO:

- 2.7-13.5mm (5x)
- F1.3 - T360 (Equivalent to F360)
- Auto Iris (DC Type)
- Day/Night
- Manual Focus
- CS-Mount

DIMENSIONS:



SPECIFICATIONS:

Focal Length	2.7-13.5mm (5x)
Iris Range	F1.3 - T360 (Equivalent to F360)
Iris Operation	Auto, DC Type
Focus Operation	Manual
Zoom Operation	Manual
Mounting Type	CS Mount, Metal
Focusing Range	∞ - 0.3m
Back Focus Distance (in air)	8.91mm
Operating Voltage	23 mA (Max.) @ DC 4V
Operating Temperature	-4°F - 140°F / -20°C - 60°C
Weight	.15 lbs / 70g
1/3" Angle of View	
Wide	99.42° × 74.17°
Tele	20.37° × 15.30°
1/4" Angle of View	
Wide	74.17° × 55.26°
Tele	15.30° × 11.38°