

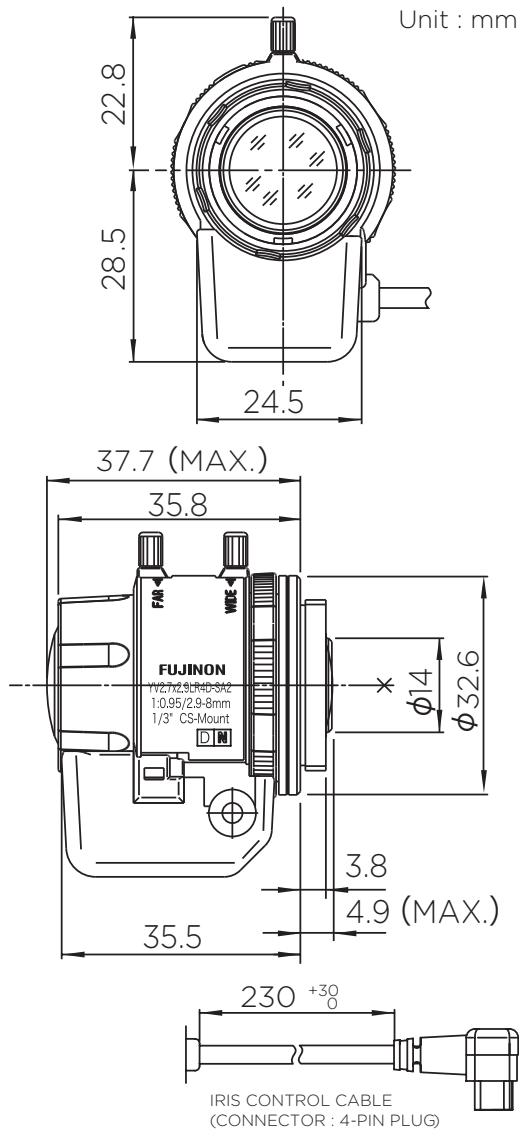
YV2.7x2.9LR4D-SA2L Fujinon CS Mount Lens



INFO:

- 2.9-8mm (2.7x)
- F0.95 - T360 (Equivalent to F360)
- Auto Iris (DC Type)
- Day/Night
- Manual Focus
- CS-Mount

DIMENSIONS:



SPECIFICATIONS:

Focal Length	2.9-8mm (2.7x)
Iris Range	F0.95 - T360 (Equivalent to F360)
Iris Operation	Auto, DC Type
Focus Operation	Manual
Zoom Operation	Manual
Mounting Type	CS Mount, Metal
Focusing Range	∞ - 0.3m
Back Focus Distance (in air)	7.73mm
Operating Voltage	23 mA (Max.) @ DC 4V
Operating Temperature	-4°F - 140°F / -20°C - 60°C
Weight	.09 lbs / 45g
1/3" Angle of View	
Wide	94.37° × 69.30°
Tele	35.18° × 26.26°
1/4" Angle of View	
Wide	69.29° × 51.29°
Tele	26.22° × 19.46°