

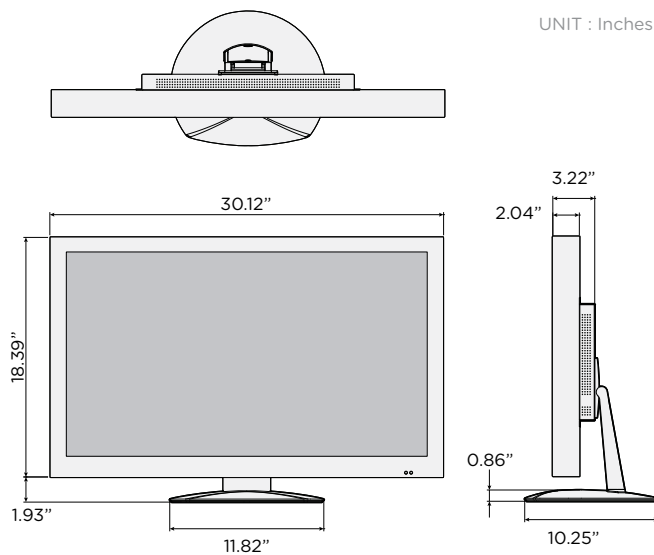
## VT320-W 32" CCTV LCD Monitor



### INFO:

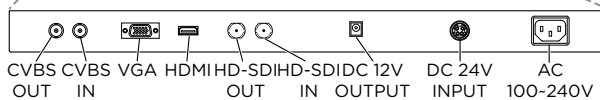
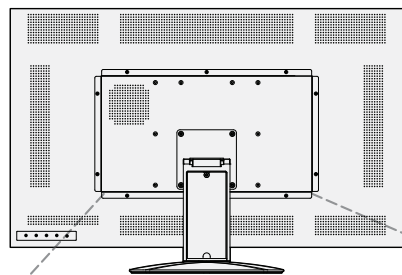
- 32" LCD Panel
- 1920 x 1080 Resolution
- 16:9 Aspect Ratio
- 350 nit Brightness
- 3000:1 Contrast Ratio
- 1 HDMI Input
- 1 HD-SDI Input / 1 HD-SDI Output
- 1 CVBS Input / 1 CVBS Output
- 1 VGA Input
- Steel Bezel
- VESA 100, 100 x 200 & 200
- Dual Voltage: AC110-240V or DC24V
- 12VDC Output for External Camera
- Remote Included

### DIMENSIONS:



### SPECIFICATIONS:

Display	32" LCD
Resolution	1920 x 1080
Control	OSD (On Screen Display) Control
Aspect Ratio	16:9
Display Colors	16.7M
Brightness	350 nit
Contrast Ratio	3000:1
Viewing Angle (H x V)	178° x 178°
Response Time	6.5ms
In / Out Impedance	75Ω /Auto Terminating Output
Mounting	VESA 100 & 100 x 200/ Stand Mount
Video Inputs / Outputs	1 HDMI 1 HD-SDI Input / 1 HD-SDI Output 1 CVBS Inputs / 1 CVBS Output 1 VGA Input
Audio Inputs / Outputs	n/a
Power Consumption	38.72 Watts (DC24V)
Power Requirement	Dual Voltage: 100 - 240 VAC or 24VDC
Operating Temperature	32°F - 104°F / 0°C - 40°C
Dimensions (W x H x D) *on stand	30.12" x 20.32" x 10.25" 765.048mm x 516.128mm x 260.35mm
Weight	25.6 lbs / 11.612 kgs



### CERTIFICATIONS:

