

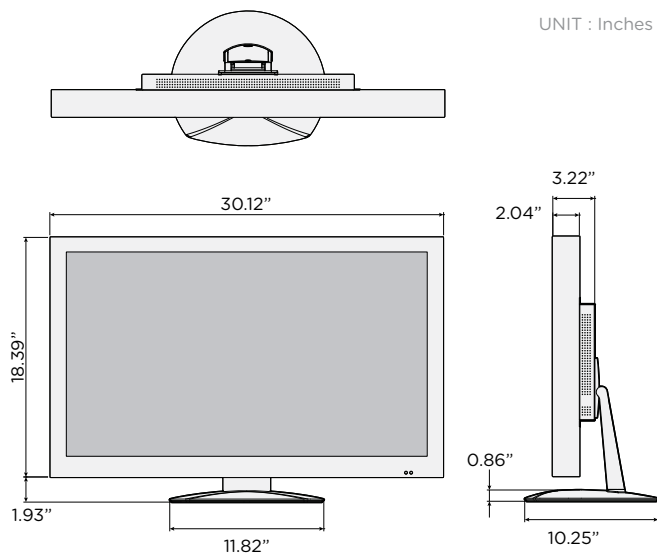
CE-VT320-C 32" HD-SDI CCTV LCD Monitor



INFO:

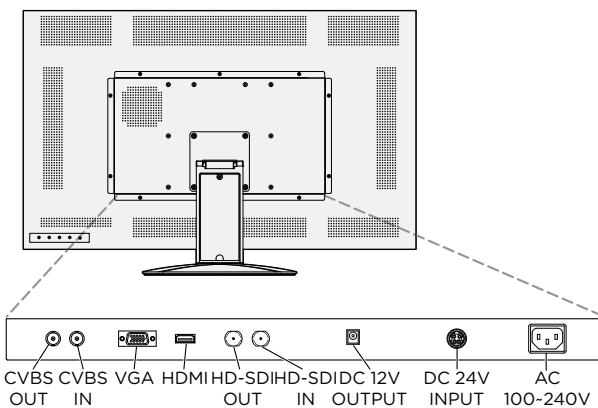
- 32" LCD Panel
- 1920 x 1080 Resolution
- 16:9 Aspect Ratio
- 350 nit Brightness
- 3000:1 Contrast Ratio
- 1 HDMI Input
- 1 HD-SDI Input / 1 HD-SDI Output
- 1 CVBS Input / 1 CVBS Output
- 1 VGA Input
- Steel Bezel
- VESA 100, 100 x 200 & 200
- Dual Voltage: AC110-240V or DC24V
- 12VDC Output for External Camera
- Remote Included

DIMENSIONS:



SPECIFICATIONS:

| | |
|-------------------------------------|--|
| Display | 32" LCD |
| Resolution | 1920 x 1080 |
| Control | OSD (On Screen Display) Control |
| Aspect Ratio | 16:9 |
| Display Colors | 16.7M |
| Brightness | 350 nit |
| Contrast Ratio | 3000:1 |
| Viewing Angle (H x V) | 178° x 178° |
| Response Time | 6.5ms |
| In / Out Impedance | 75Ω /Auto Terminating Output |
| Mounting | VESA 100 & 100 x 200/ Stand Mount |
| Video Inputs / Outputs | 1 HDMI 1 HD-SDI Input / 1 HD-SDI Output 1 CVBS Inputs / 1 CVBS Output 1 VGA Input |
| Audio Inputs / Outputs | n/a |
| Power Consumption | 38.72 Watts (DC24V) |
| Power Requirement | Dual Voltage: 100 - 240 VAC or 24VDC |
| Operating Temperature | 32°F - 104°F / 0°C - 40°C |
| Dimensions (W x H x D) *on stand | 30.12" x 20.32" x 10.25" 765.048mm x 516.128mm x 260.35mm |
| Weight | 25.6 lbs / 11.612 kgs |



CERTIFICATIONS:

