

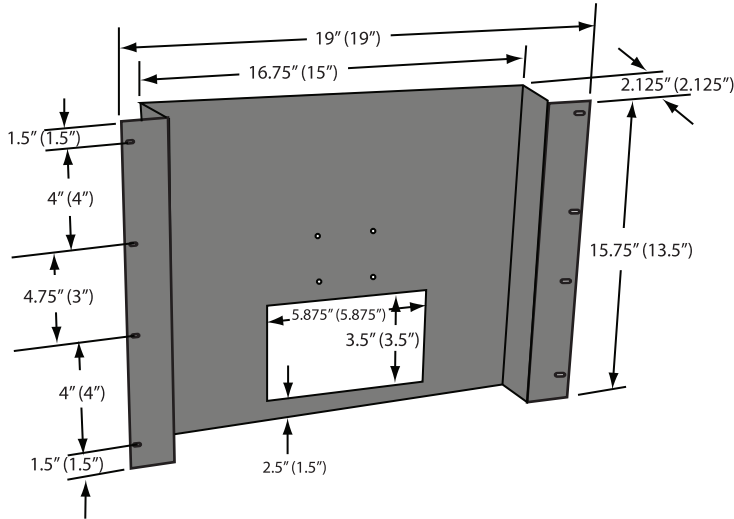
# CE-BR-17RACK & CE-BR-19RACK Installation Guide

## Included Items:

- Rack Mount (1 pc.)
- VESA screws (4 pcs.)
- Instruction Sheet (1 pc.)

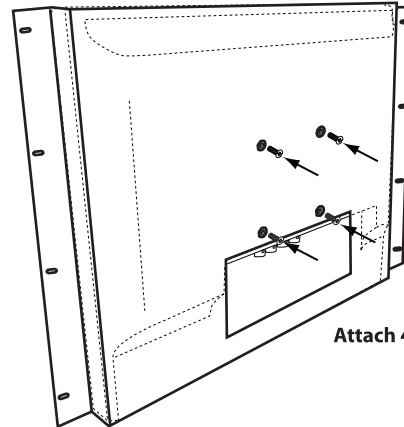
The CE-BR-17RACK & CE-BR-19RACK mounts attach to VESA 75 mounting holes on the display. Although specifically designed for Clinton Electronics 17" & 19" displays, these mounts will fit most 17" & 19" displays respectively. Check that your display will fit within the dimensions below.

**\*NOTE: 19RACK dimensions shown first (17RACK dimensions in parentheses)**



## Attach Mount to Display

If your display has a stand attached, remove it first. Attach the mount to the back of the display using the 4 VESA mount screws included. You can then attach the assembly to your rack mount using the holes on the protruding wings.



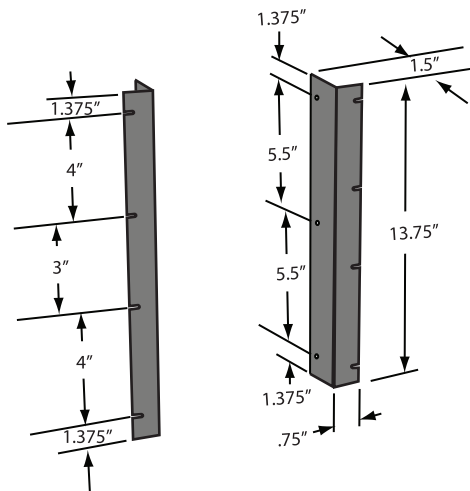
Attach 4 VESA screws

# CE-BR-20RACK Installation Guide

## Included Items:

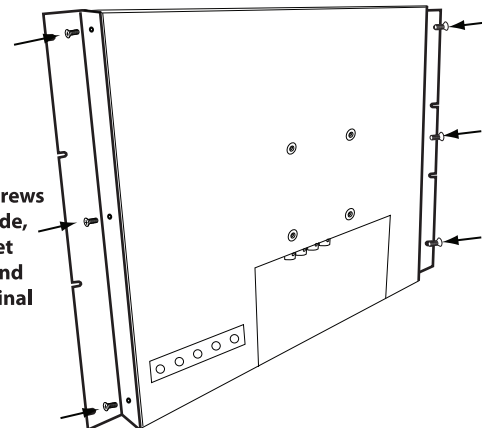
- Rack Mount (2 pcs.)
- Instruction Sheet (1 pc.)

CE-BR-20RACK mount attaches to the side screws on the Clinton Electronics VT200 Series monitor. Due to this mounting restriction, it will only fit the VT200 Series.



## Attach Mount to Display

If your display has a stand attached, remove it first. Attach the brackets by removing the 3 screws from each side of the display, placing a bracket in position (protruding wings towards the front), and replacing the screws in each side through the holes in the bracket. You can then attach the assembly to your rack mount using the slots on the protruding wings.



Remove 3 screws from each side, move bracket into place, and replace original screws

**CLINTON Electronics**

CLINTON Electronics  
6701 Clinton Road  
Loves Park, IL 61111

1.800.447.3306 Sales  
1.800.549.6396 Support  
1.800.633.8712 Fax

[www.clintonelectronics.com](http://www.clintonelectronics.com)