

B707/VF775IR

INSTALLATION GUIDE

Included Items:

- Camera x 1
- Gasket Backed Mounting Plate x 1
- Allen Wrench x 2
- Instructions x 1
- Phillips Head Screws x 4
- Allen Head Screws x 4

Required Items:

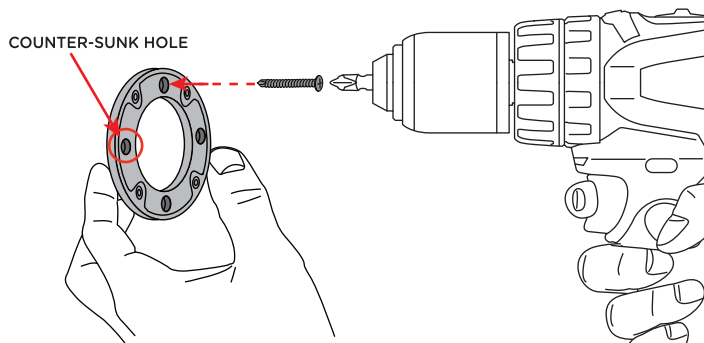
- Phillips Head Screwdriver
- Flat Head Screwdriver

Optional Items:

- CE-REMOTE
- Drill with Phillips Head Bit

1. BRACKET MOUNTING

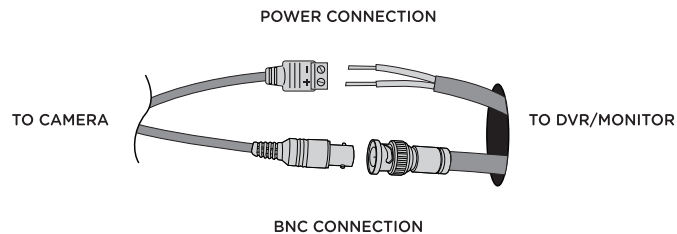
With the 8 holes facing out, affix the mounting bracket to the desired surface with the 4 supplied Phillips head screws.



Make sure the gasket side of the mounting bracket is not facing out. If installed this way you will be unable to affix the camera to the bracket.

2. ATTACH CABLES

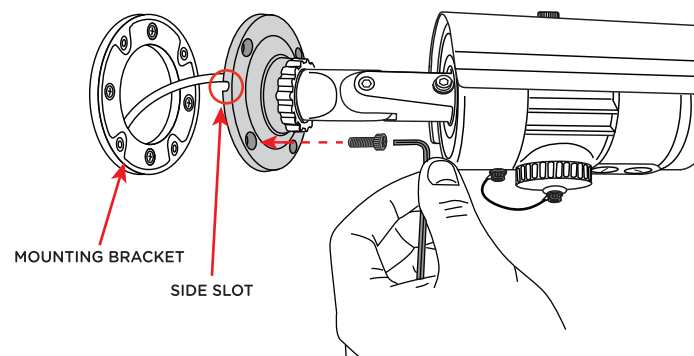
Make connections to the BNC cable and the power connection. Feed any cable slack into the mounting surface.



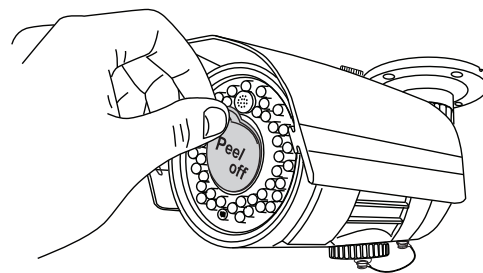
To ensure quality operation, verify proper BNC and power termination; along with proper voltage at camera.

3. CAMERA MOUNTING

a. Run the cables through the mounting bracket, or out through the side slot. Using the 4 supplied Allen screws and wrench, attach the camera to the mounting bracket.

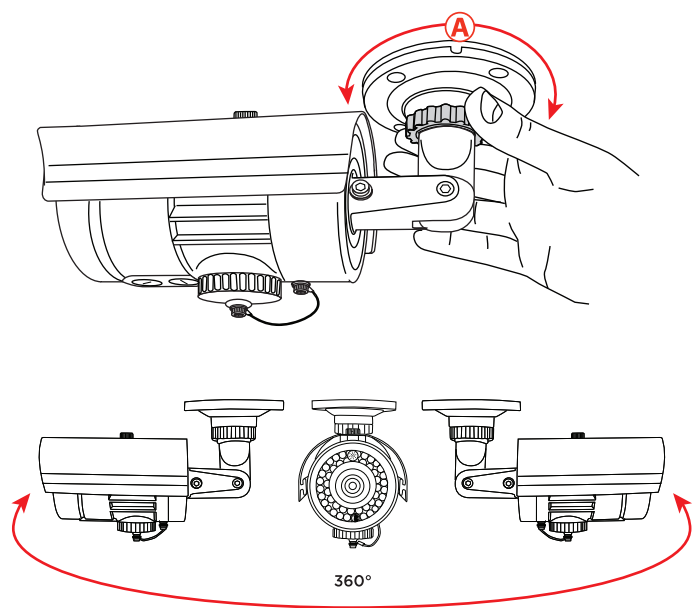


b. Remove the protective film over the lens.

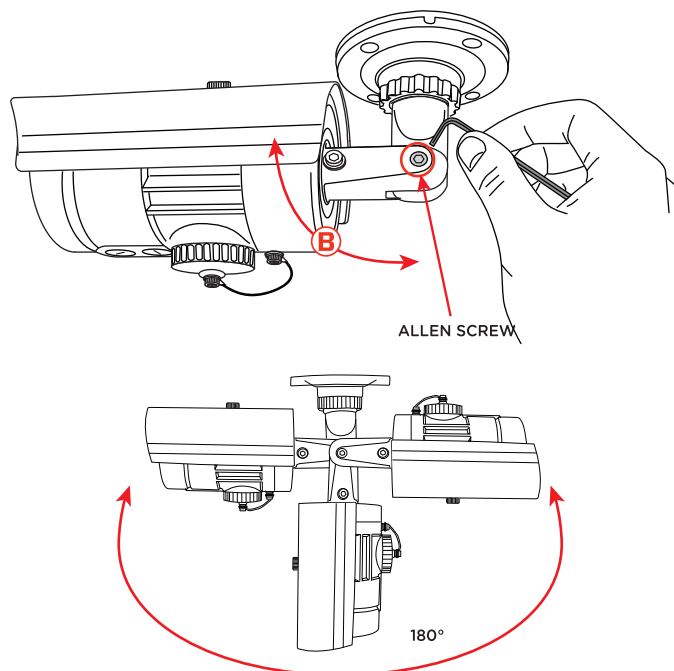


4. CAMERA ADJUSTMENT

a. Camera plate rotation can be adjusted by loosening the collar, then turning the camera to the desired location.

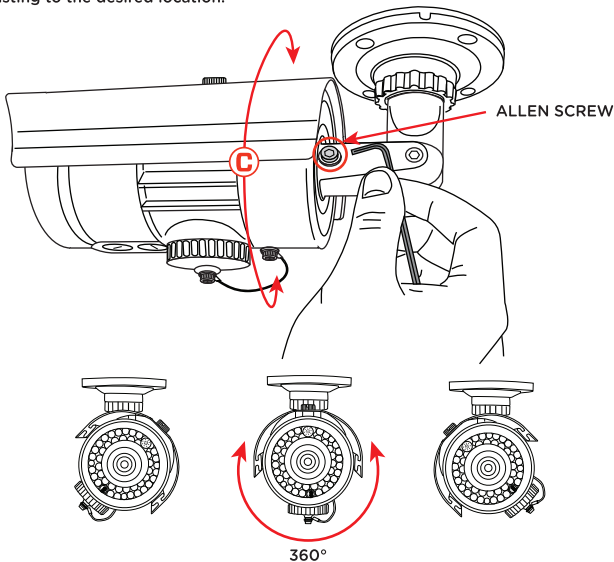


b. Lens angle can be adjusted by loosening the appropriate Allen screw, then adjusting to the desired location.



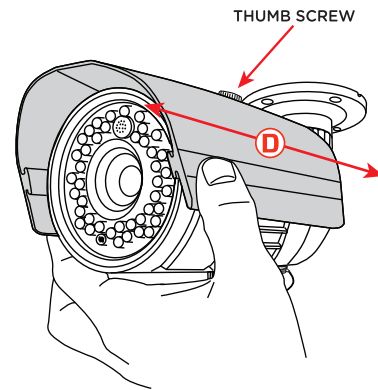
4. CAMERA ADJUSTMENT

c. Barrel rotation can be adjusted by loosening the appropriate Allen screw, then adjusting to the desired location.



After adjustments have been made make sure to tighten the collar and/or Allen screws to lock the adjustments into place.

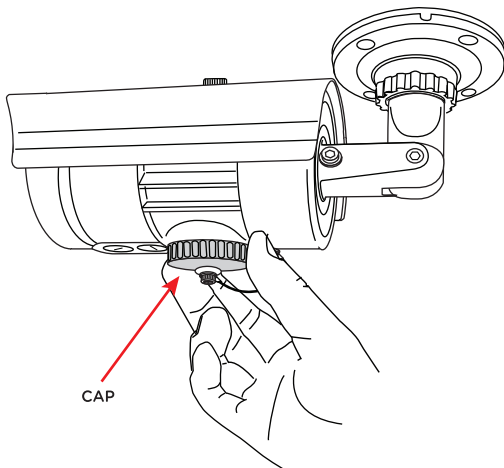
d. Adjust the position of the sun-shield by first loosening the slotted thumb screw on the top of the sun-shield. Then slide the sun-shield to the front or the rear of the camera assembly. Tighten thumb screw after making adjustments.



Positioning the sun-shield too far forward could result in a barrel effect when viewing the image, too far to back will not provide protection of the lens from sun light or weather.

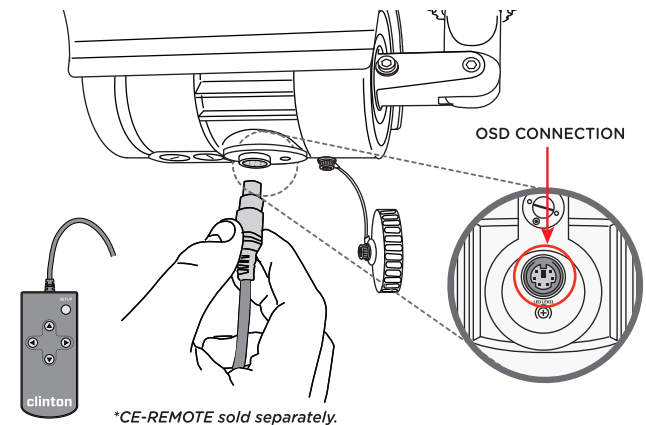
5. REMOTE CONTROL

a. To test the camera with a test monitor first remove the cap located on the underside of the camera.



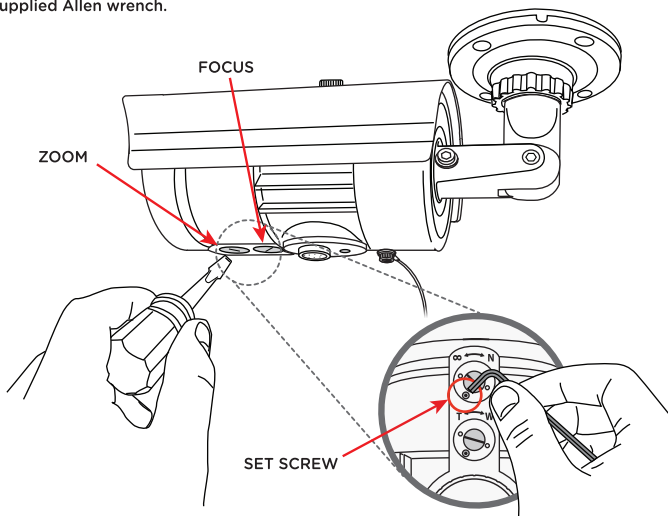
b. Plug the *CE-REMOTE into the OSD connection, and connect your test monitor to the BNC connection located on the *CE-REMOTE cable.

Refer to OSD Manual for detailed instructions on adjusting camera settings.



6. ZOOM/FOCUS ADJUSTMENT

To adjust the zoom or focus of the camera, first loosen the appropriate set screw with the supplied Allen wrench.

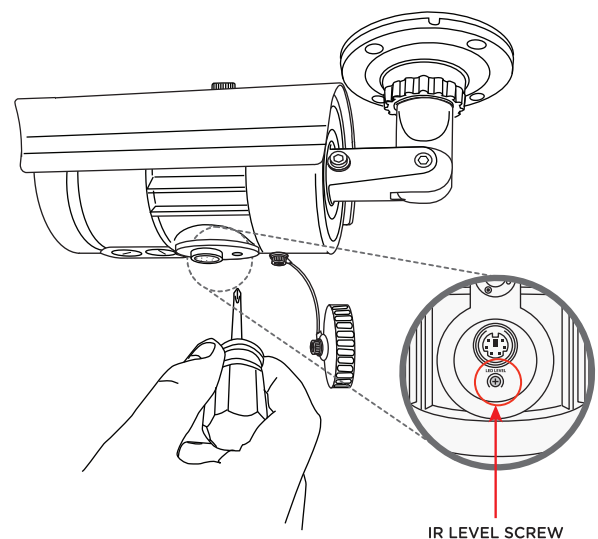


Using a flat head screwdriver, widen the viewing angle by rotating the zoom screw to the Left. To narrow the viewing angle rotate the zoom screw to the Right. Rotate the focus screw Left or Right to focus the lens.

After adjustments have been made make sure to tighten the set screws to lock the adjustments into place.

7. IR ADJUSTMENT

To adjust the intensity of the IR LEDs, use a Phillips head screwdriver to turn the IR LEVEL Screw, (located below the DIN Connection). Turn the screw clockwise for brighter LEDs and counter-clockwise for dimmer LEDs.



After adjustments have been made make sure to replace the cap to ensure superior weather resistance.