

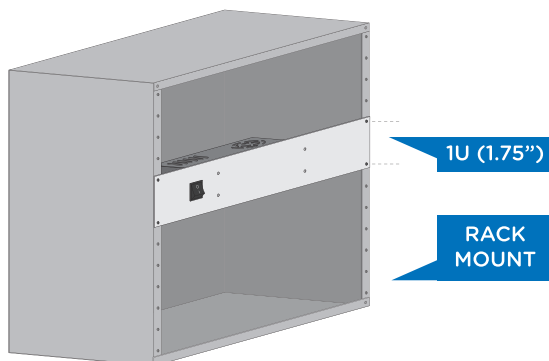
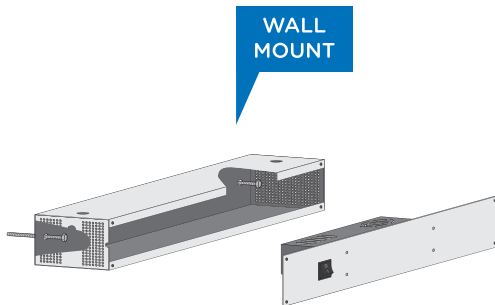
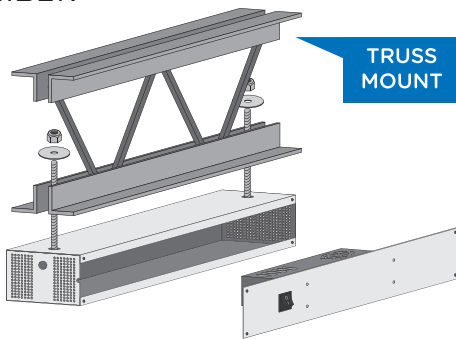
S320-B / S600-24-B Multiple PVM Power Supply



INFO:

- DC24V
- 320 Watt Output (CE-S320-B)
- 600 Watt Output (CE-S600-24-B)
- Converts 110VAC to DC24V
- Truss Mount, 19" Rack Mount, & Wall Mount
- UL Listed

ASSEMBLY:



SPECIFICATIONS:

AC Input Voltage Range	88 - 132VAC / 176 - 264VAC (selectable by switch)
Output	24VDC, 0 - 12.5A *S320-B 24VDC, 0 - 25A *S600-24-B
AC Inrush Current	20A @ 115VAC, 40A @ 230VAC (cold start)
DC Adjustment Range	+/-10% rated output voltage
Overload Protection	105% - 135% rated hiccup mode, auto-recovery
Over Voltage Protection	115% - 145% rated output voltage
Fuse	5A glass
Setup, Rise, Hold Up Time	2000ms, 20ms, 20ms @ full load & 230VAC *S320-B 1000ms, 50ms, 14ms @ full load *S600-24-B
Withstand Voltage	I/P-O/P: 3.0KVAC, I/P-FG:1.5KVAC, 1 minute
Working Temperature	@ 32°F - 104°F, 100% / @ 140°F, 60% load (24 - 28V): @ 32°F - 122°F, 100% / @140°F, 60% load
Safety Standards	UL, LUL
Connection	9P/9.5mm pitch terminal block w/ cover *S320-B 6P/13mm pitch terminal block w/ cover *S600-24-B
Dimensions	19" (W) x 5" (D) x 3.5" (H) 484.6mm (L) x 127mm (W) x 88.9mm (H)
Weight	9.4 lbs / 4.26kg *S320-B 11.2 lbs / 5.08kg *S600-24-B

CERTIFICATIONS:

