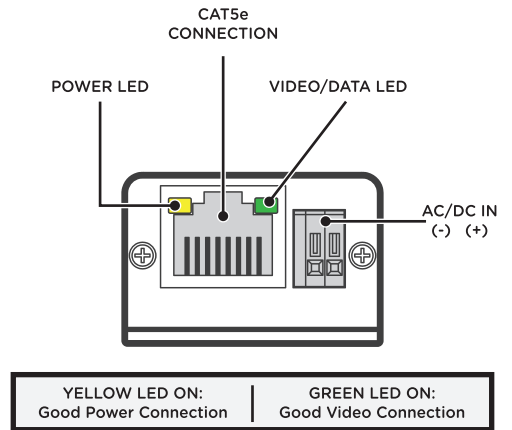
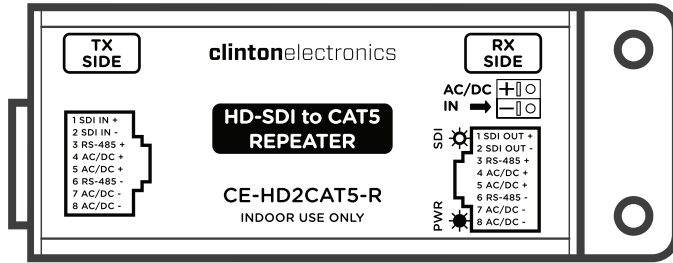


# CE-HD2CAT5-R User Guide

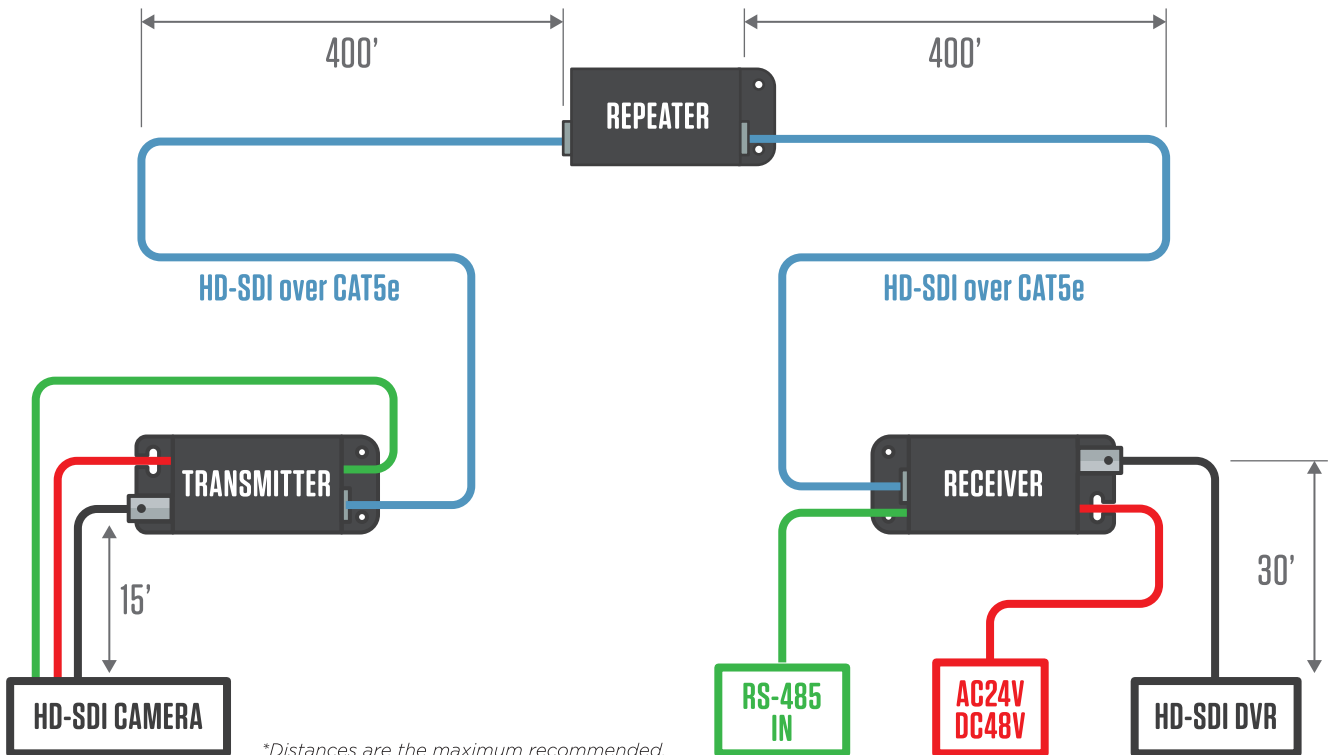
## HD-SDI to CAT5e Repeater

The CE-HD2CAT5-R Repeater enables an HD-SDI signal, power, and RS-485 data to be repeated an additional 400' when used in conjunction with the CE-HD2CAT5 Transmitter and Receiver.



### CONNECTION DIAGRAM

**REPEATER** - Connect CAT5e cable from TRANSMITTER to REPEATER, connect CAT5e cable from REPEATER to RECEIVER.



*\*Distances are the maximum recommended.*

### TRANSMISSION DISTANCE

This recommended HD-SDI transmission distance is 90% of the maximum distance (using RG59) calculated by considering the loss of the signals depend on the situations.

Camera to TRANSMITTER (RG59)	TRANSMITTER to REPEATER (CAT5e)	REPEATER to RECEIVER (CAT5e)	RECEIVER to DVR (RG59)
15'	400'	400'	30'