

CE-UAP Install Guide

Universal Adapter Plate for VESA 75 & 100 to VESA 100x200, 200x200, or 200x300

MAX WEIGHT
35 lbs



CAUTION: This Adapter Plate is designed to mount a large monitor, up to 35 lbs, to a Clinton Electronics Telescoping Monitor Pole. Use with products heavier than the maximum weights indicated may result in instability causing possible injury.

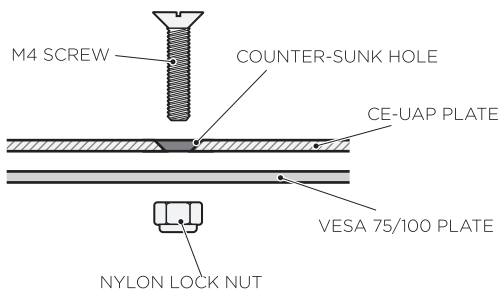
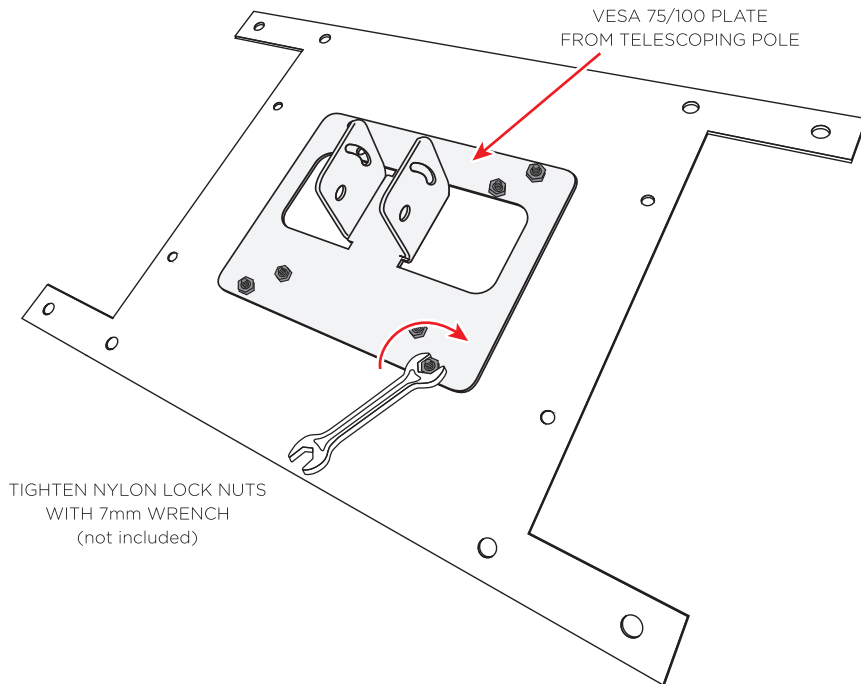
Included Items:

- VESA Adapter Plate x 1
- M4 Screws x 8
- M4 Lock Nuts x 8
- M6 Screws x 4

1. ATTACH VESA 75/100 PLATE

Using the supplied (8) M4 screws and nuts, attach the VESA 75/100 plate from the telescoping monitor pole to the CE-UAP adapter plate.

The screws should be inserted into the counter-sunk holes. If the screws are not inserted into the counter-sunk holes, the adapter plate will not sit flat against the monitor, and damage to the back of the monitor may occur.

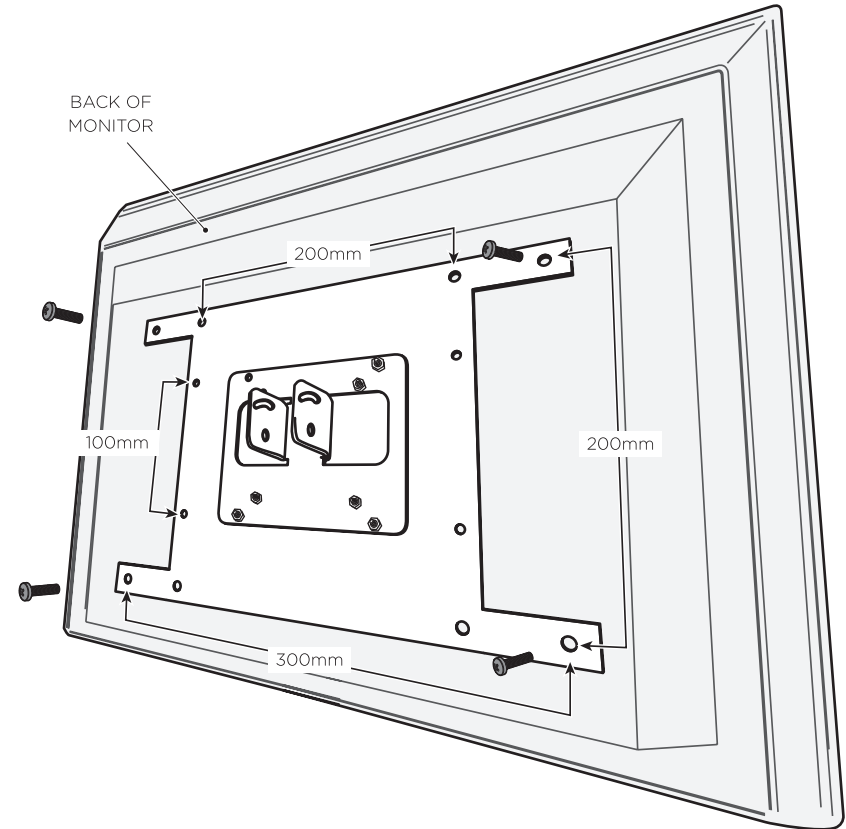


2. ATTACH ADAPTER PLATE TO MONITOR

Select the appropriate VESA mounting hole pattern and mount the monitor to the adapter plate.

VESA 100x200: Use (4) M4 screws that were included with telescoping pole/VESA plate.

VESA 200x200 or 200x300: Use (4) M6 screws that are included with this adapter plate.



**WEIGHT OF MONITOR NOT
TO EXCEED 35 LBS / 15 KGS**

REFER TO TELESCOPING POLE INSTRUCTIONS TO COMPLETE INSTALLATION.