

CE-IDXDPC(B) Install Guide

Included Items:

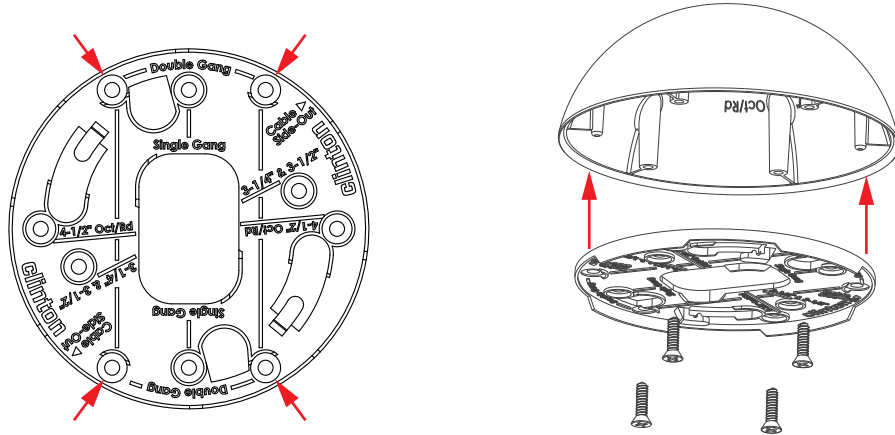
- Deep Pendant Cap x1
- Conduit Screw Connector x1
- 4x16mm Phillips Head Screws x4

Required Items:

- IDX Camera w/ Mounting Plate
- 3/4" Conduit or Camera Pole
- Phillips Screwdriver

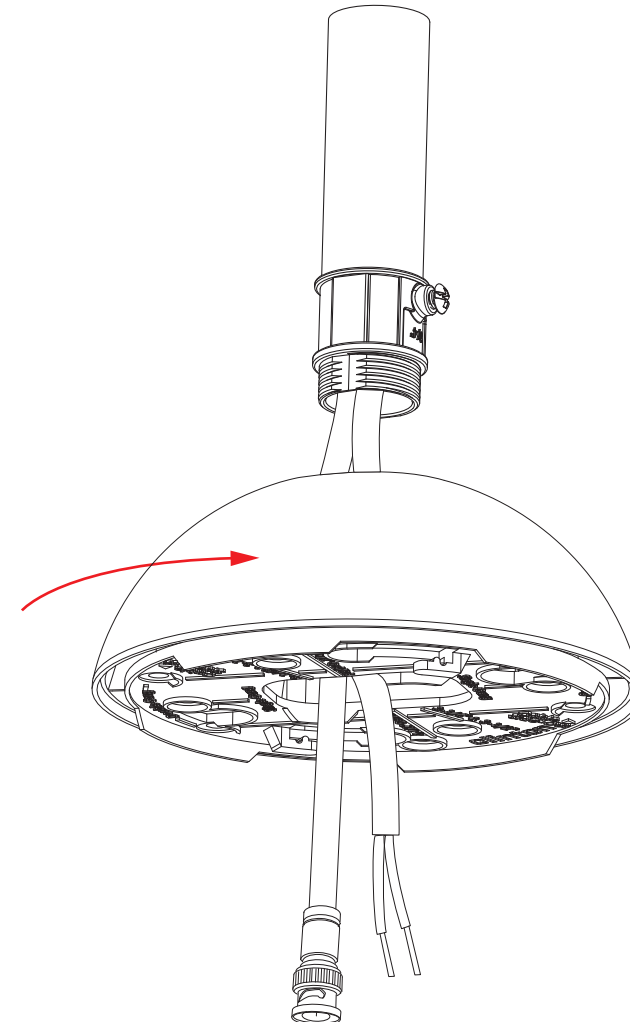
1. ATTACH IDX MOUNTING PLATE

Attach the IDX Mounting Plate to the Deep Pendant Cap using the four 4x16mm Phillips Head Screws provided,



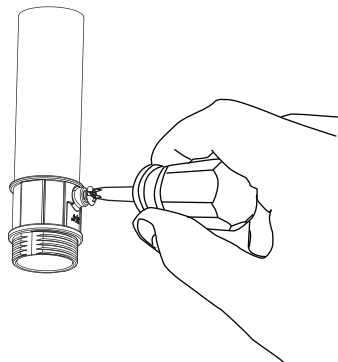
3. ATTACH DEEP PENDANT MOUNT CAP

Feed the power/video cables through the Deep Pendant Cap and screw the Pendant Cap to the Conduit Screw Connector by turning clockwise.



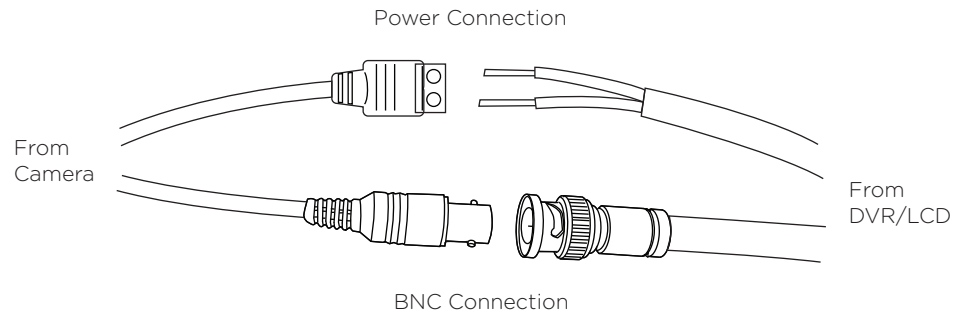
2. ATTACH CONDUIT SCREW CONNECTOR

Attach the Conduit Screw Connector to a 3/4" Conduit Pipe or Camera Pole and tighten the screw to secure the connector to the pipe.



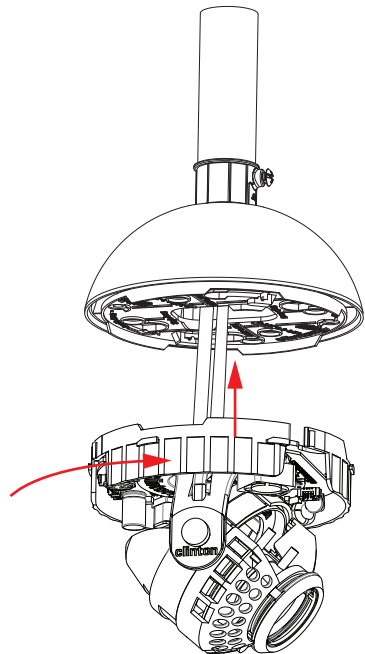
4. CONNECT CABLES

Connect the power/video cables to the power/video cables on your IDX Camera. Feed any slack into the conduit pipe and Deep Pendant Cap.



5. SECURE CAMERA TO MOUNTING PLATE

Secure the camera to the IDX Mounting Plate by turning the camera clockwise to lock in place.



6. ATTACH DOME COVER

Attach the dome cover onto the camera by turning the cover clockwise until it locks into place.

