

CE-IDXWB(B) Install Guide

Included Items:

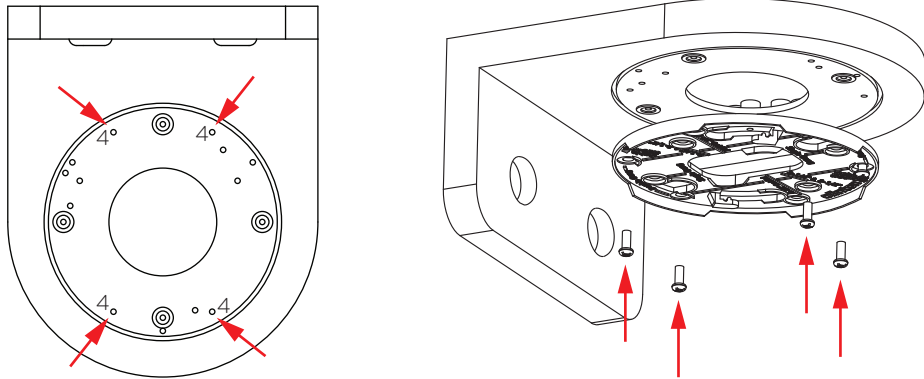
- Wall Bracket x1
- 4x24mm Phillips Head Screws x2
- 3.5x7mm Phillips Head Screws x6
- Plastic Screw Caps x2

Required Items:

- IDX Camera w/ Mounting Plate
- Phillips Screwdriver

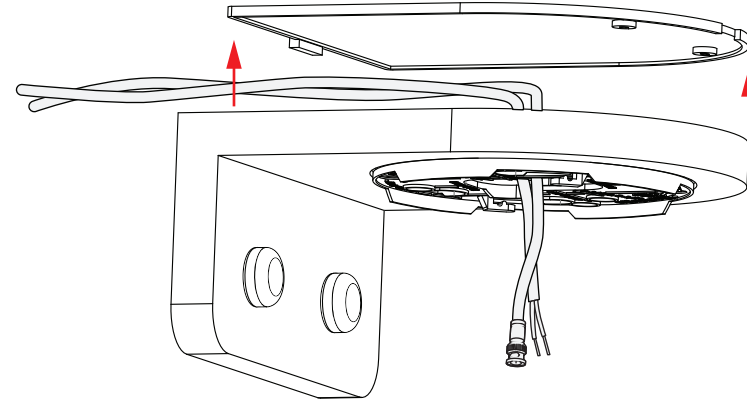
1. ATTACH IDX MOUNTING PLATE

Using four of the supplied 3.5x7mm Phillips Head Screws, attach the IDX Mounting Plate to the Double Gang Pattern #4 on the Wall Bracket.



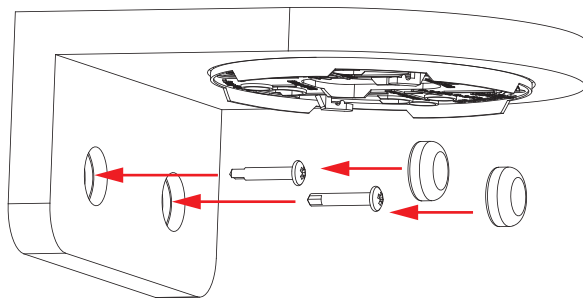
3. REMOVE COVER

Remove the cover from the top of the Wall Bracket and feed the power/video cables through the Wall Bracket.



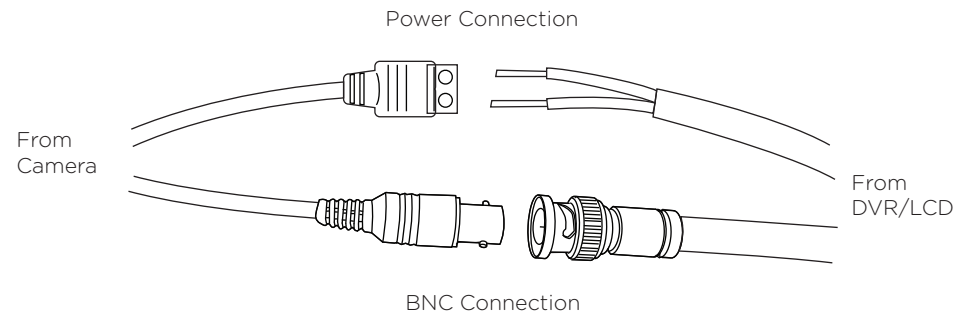
2. ATTACH WALL BRACKET TO WALL

Attach the Wall Bracket to the wall by using the two 4x24mm Phillips Head Screws. Once the Wall Bracket is attached use the screw caps to cover the screws.



4. CONNECT CABLES

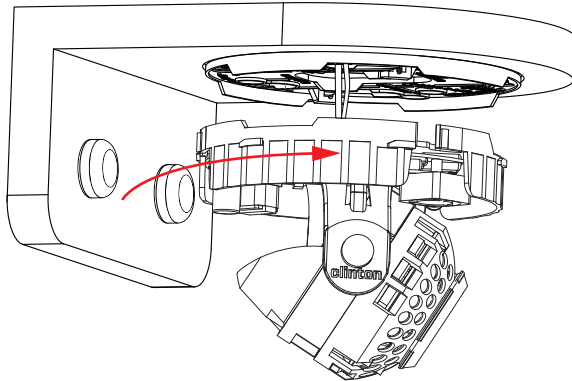
Connect the power/video cables to the power/video cables on your IDX Camera.



**If mounting to drywall it is recommended to use drywall anchors. Drywall anchors not included.*

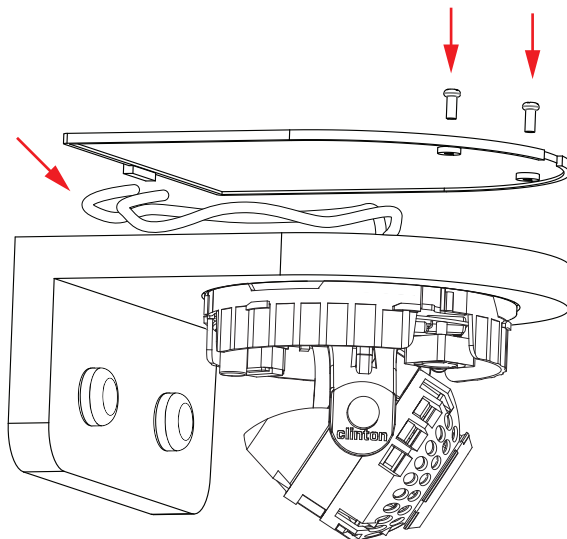
5. SECURE CAMERA TO WALL BRACKET

Secure the camera to the Wall Bracket by turning the camera clockwise until it locks in place.



6. ATTACH WALL BRACKET COVER

Feed any cable slack into the top of the Wall Bracket or back into the wall. Place the cover onto the Wall Bracket and use the two remaining 3.5x7mm Phillips Head Screws provided to tighten it down.



7. ATTACH DOME COVER

Attach the dome cover to the camera by turning the cover clockwise until it locks into place.

