

CE-172

WALL MOUNT INSTALLATION GUIDE

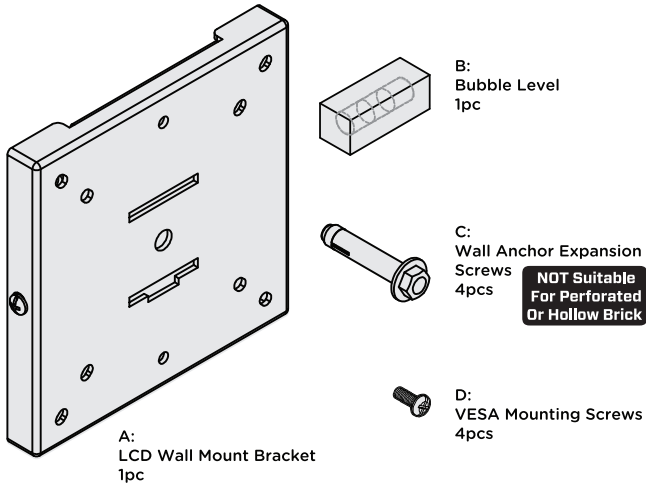
This LCD Wall Mount bracket is designed to mount a VESA compatible monitor (VESA 75 or 100) flush to the wall. The wall mount is made of commercial-quality steel and is great for use anywhere. The distance of the screen to the wall is approximately half an inch (.625").



CAUTION: This mount is intended for use only with the maximum weights indicated. Use with products heavier than the maximum weights indicated may result in instability causing possible injury.

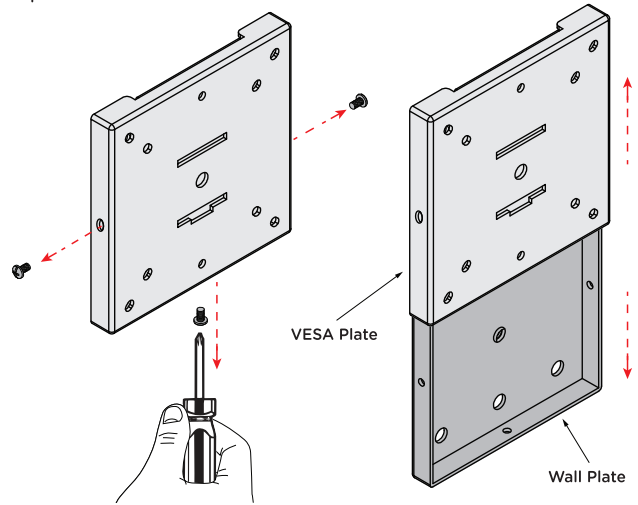
⚠️ Maximum Load Capacity: 44 lbs / 20 kg ⚠️

Included Items



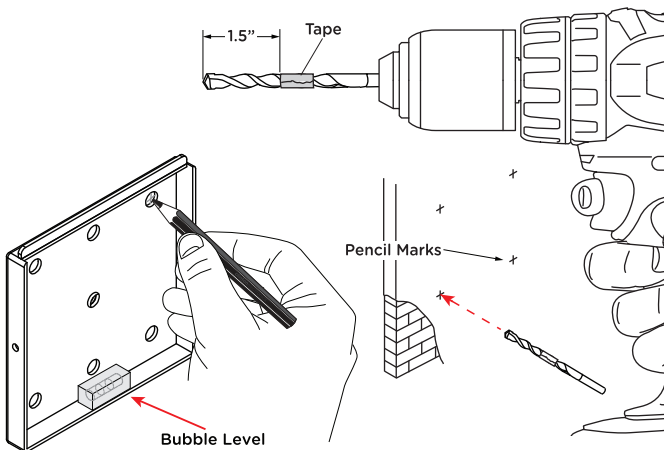
1. DISASSEMBLE MOUNTING BRACKET

Using a Phillips head screwdriver, remove the 2 screws on the sides of the wall mount bracket (A) and the 1 screw from the bottom. Separate the VESA (monitor) plate from the wall plate.



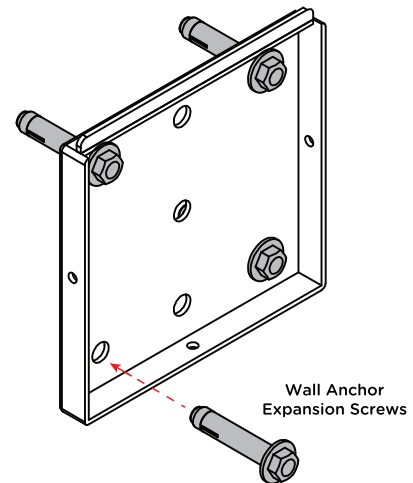
2. DRILL HOLES

With the bubble level placed on the mounting plate, place in the desired mounting position, and mark the holes with a pencil. With a 5/16" masonry drill bit, drill holes 1.5" deep into the mounting surface. (You can measure the depth of your drill by wrapping a piece of tape around the drill bit).



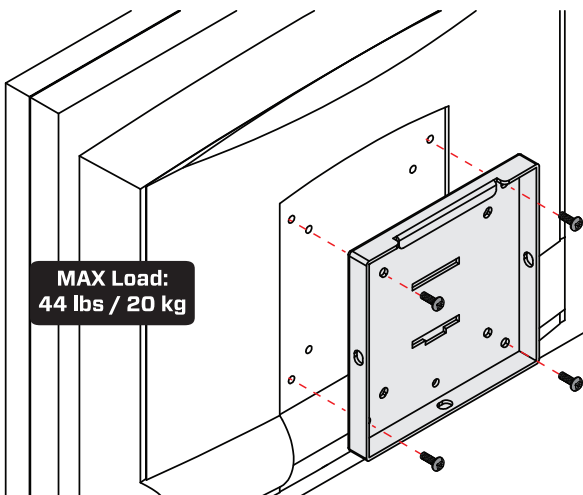
3. MOUNT TO CONCRETE / BRICK

Clean the dust from the holes and then push the wall anchor expansion screws (C) into the holes until the head of the bolt is flush against the mounting plate. Finger tighten, then use a wrench to fully secure.



4. ATTACH VESA PLATE TO MONITOR

Attach your monitor to the VESA plate using the 4 supplied VESA screws (D).



3. MOUNT MONITOR TO WALL

Slide the monitor with the VESA plate attached onto the wall plate. Secure by inserting the 3 retaining screws that were removed in step 1.

