

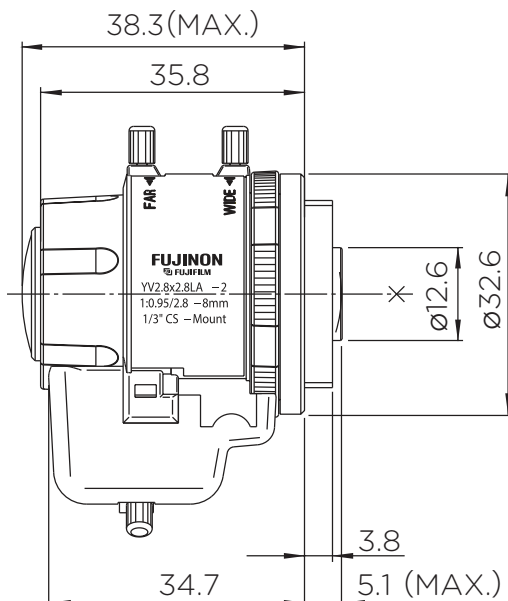
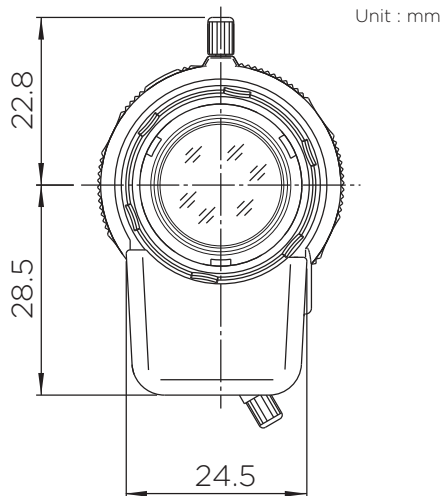
## YV2.8x2.8LA-2 Fujinon CS Mount Lens



### INFO:

- 2.8-8mm (2.8x)
- F0.95 - T360 (Equivalent to F360)
- Manual Iris
- Manual Focus
- CS-Mount

### DIMENSIONS:



### SPECIFICATIONS:

Focal Length	2.8 - 8mm (2.8x)
Iris Range	F0.95 - T360 (Equivalent to F360)
Iris Operation	Manual
Focus Operation	Manual
Zoom Operation	Manual
Mounting Type	CS Mount, Metal
Focusing Range	$\infty$ - 0.3m
Back Focus Distance (in air)	7.51mm
Operating Voltage	- - -
Operating Temperature	-4°F - 140°F / -20°C - 60°C
Weight	.07 lbs / 35g
<b>1/3" Angle of View</b>	
Wide	99.52° × 73.17°
Tele	35.14° × 26.24°
<b>1/4" Angle of View</b>	
Wide	73.17° × 54.19°
Tele	26.24° × 19.47°