

## YV10x5HR4A-SA2L Fujinon CS Mount Lens

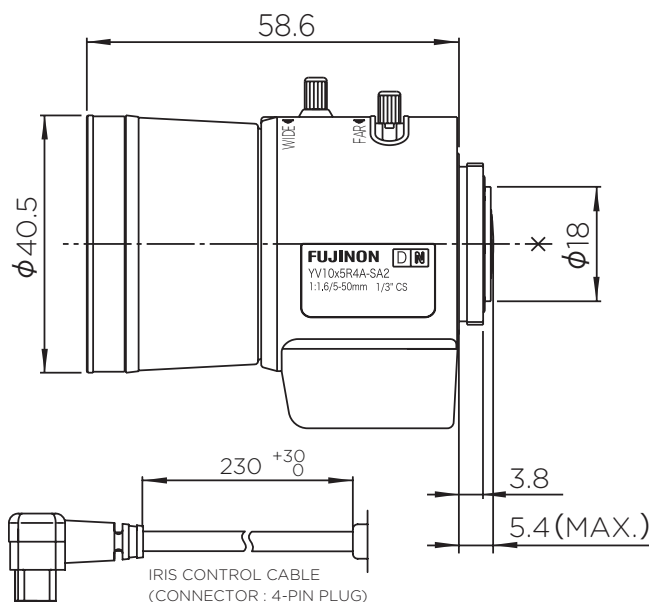
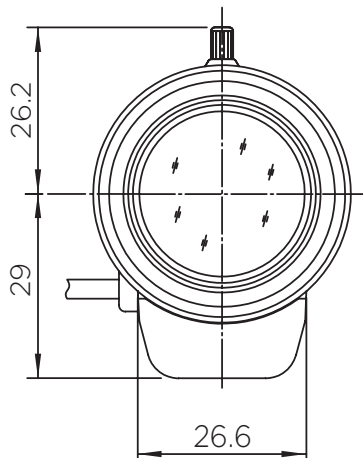


### INFO:

- 5.5-50mm (10x)
- Supports Up to 1.3 Megapixels
- F1.6 - T360 (Equivalent to F360)
- Auto Iris (DC Type)
- Day/Night
- Manual Focus
- CS-Mount

### DIMENSIONS:

Unit : mm



### SPECIFICATIONS:

Focal Length	5.5-50mm (10x)
Iris Range	F1.6 - T360 (Equivalent to F360)
Iris Operation	Auto, DC Type
Focus Operation	Manual
Zoom Operation	Manual
Mounting Type	CS Mount, Metal
Focusing Range	$\infty$ - 0.3m
Back Focus Distance (in air)	7.5mm
Operating Voltage	23 mA (Max.) @ DC 4V
Operating Temperature	-4°F - 140°F / -20°C - 60°C
Weight	.18 lbs / 85g
<b>1/3" Angle of View</b>	
Wide	51.17° × 39.36°
Tele	5.30° × 4.07°
<b>1/4" Angle of View</b>	
Wide	39.36° × 30.13°
Tele	4.07° × 3.06°